



WELD THE WORLD

# Multipower 204T

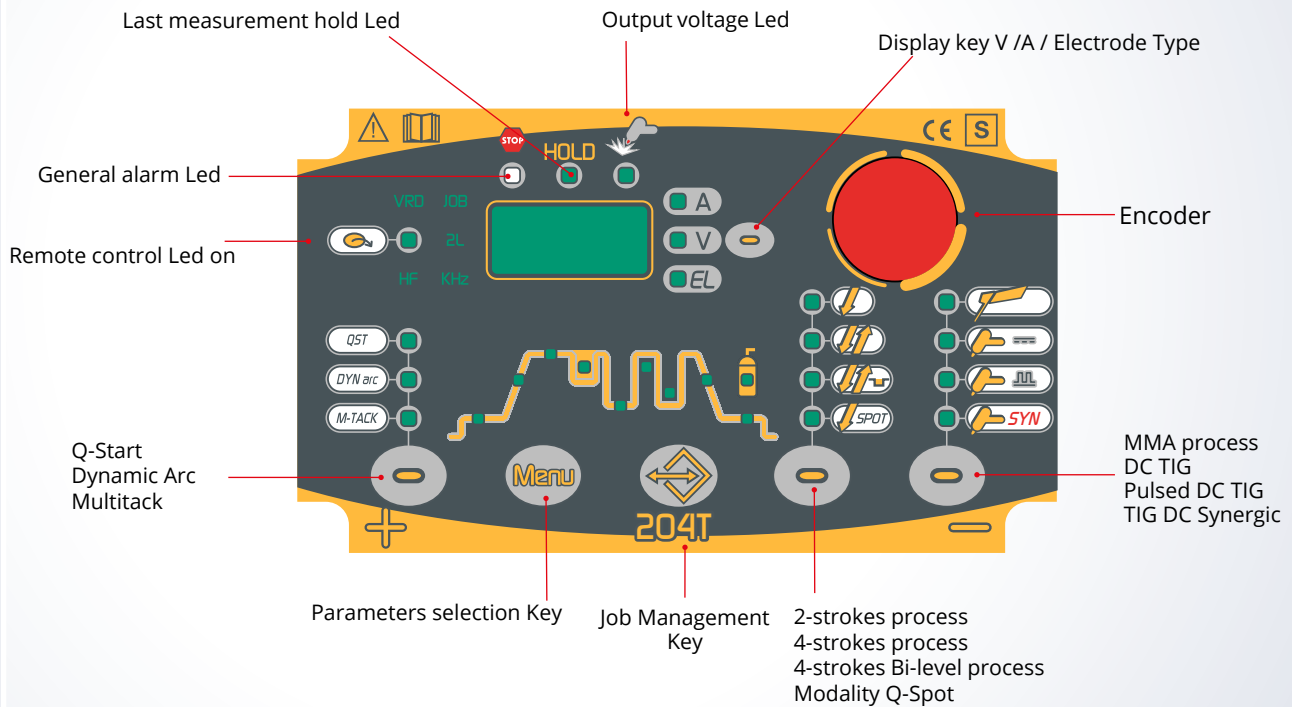


# Multipower 204T

HF DC TIG - MMA

**Multipower 204 T** is a high sophisticated single Phase Inverter TIG DC welding machine. In TIG DC mode this inverter generator can easily weld ordinary steels, stainless steel and copper.

**Multipower 204 T** is particularly indicated for extremely precise constructions, in petrochemical plants, food industry and other activities which require very high welding performance.



## Multipower 204T

	1x230Vac ± 15% @ 50-60Hz						1x115Vac ± 15% @ 50-60Hz			
	16A						32A			
	TIG - WIG			MMA			TIG	MMA		
$\%_{0.40^{\circ}\text{C}}$	30%	60%	100%	35%	60%	100%	100%	50%	60%	100%
$-I_2$	200A	140A	130A	180A	130A	120A	115A	115A	110A	105A
$I_2$	5A - 200A			10A - 180A			5A/10A - 115A			
$U_0$	83V-11V									
$P_{I\text{ MAX}}$	5,8KVA - 5,6KW									
IP	23S									
	400 x 160 x 260mm									
	11,8Kg									

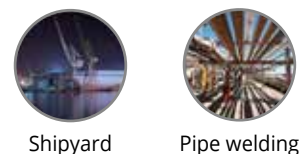
### TECHNOLOGY



### PROCESSES



### INDUSTRIES



### SPECIAL FUNCTIONS



### MATERIALS



# Multipower 204T

## Special Functions



Digital control and excellent welding with cellulosic electrodes is an optimized combination also for piping and Oil & Gas industry applications.



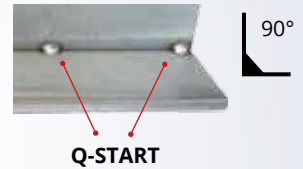
The pulse TIG with frequency up to 2500Hz allows the operator to weld very thin materials with easy arc control and very low heat input on workpiece.



Pre-set balanced parameters, stored in the Synergic Pulse TIG DC SYN curve, help to simplify Pulsed welding process. The Pulse is altered automatically when the welding current is adjusted.



The **Q-START** (Quick start) function facilitates the joining of the parts in the initial stage of the welding process. On activating this function the machine automatically switches to Synergic pulsed mode for a preset time.



The **DYNAMIC ARC** function makes it possible to keep the pre-set Voltage x Current constant. The power source increases the welding current as the arc voltage decreases and reduces the welding current if the arc voltage increases.



Dynamic Arc TIG welding



Standard TIG welding



The **Q-SPOT** (Quick Spot) function makes it possible to minimise tacking times for light gauge sheet metal.

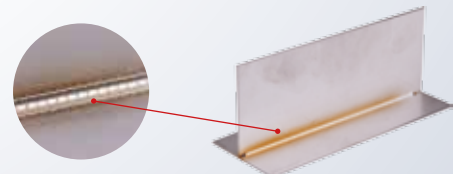
Pipe butt weld  
Ø 31.75 x 2 mm



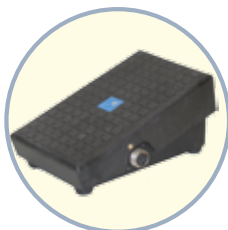
Fillet spot welding  
thickness 0,6 mm



The **MULTITACK** system makes it possible to reduce heat output while joining two light gauge parts.



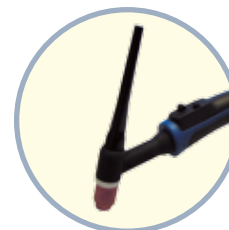
## ACCESSORIES



FOOT PEDAL



SUITCASE



UP & DOWN TORCH

**A solid industrial activity, where the production is based on substantial investments for the supporting of research, projection and continuous testing.**

Since 1997 Weco has been producing and selling welding machines

Both registered office and production plant are based on the north east of Italy. Our offices, technical/project department, production and warehouse are able to serve both our national and international sales net. A wide range of welding machines together with a huge stock, allow us to encounter and fully satisfy our customers' requests in short time.

A dynamic management supported by solid experience on the main sales' arguments and a deep knowledge on the application issues, allow this company to be ahead in the welding sector.

WECO means better solution for improving the production, optimizing the intervention time, minimizing the processes' costs, with the highest perform-standards granted.



**WELD THE WORLD**

WECO srl  
Via S. Antonio 22 - Loc. Belvedere  
36050 Tezze sul Brenta (Vicenza) - Italy  
Tel +39 0424 561 943 - fax +39 0424 561 944  
[www.weco.it](http://www.weco.it)

Dealer