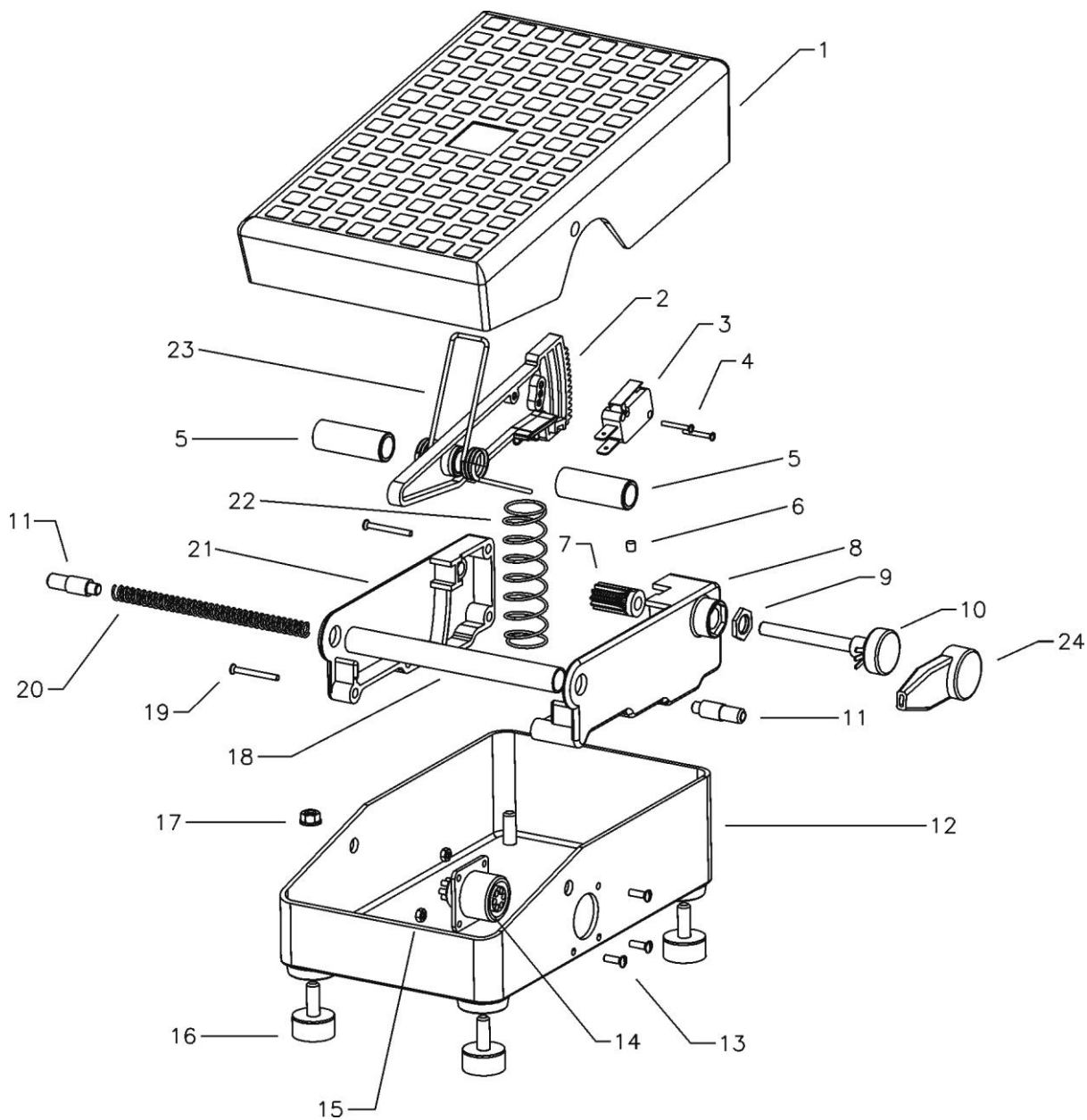


Remote Controls

1	RICAMBI - SPARE PARTS - PIÈCES DE RECHANGE -	
	RECAMBIOS – ERSATZTEILE	3
1.1	RC02	3
1.2	RC03	5
1.3	RC04	6
1.4	RC05	7
1.5	RC06	8
2	SCHEMA ELETTRICO - ELECTRICAL DIAGRAM -	
	SCHEMA ÉLECTRIQUE - ESQUEMA ELÉCTRICO -	
	SCHLTAFEL	9
2.1	TORCH.....	9
2.2	UP & DOWN TORCH	9
2.3	TORCH WITH POTENTIOMETER.....	9
2.4	RC02 CABLE.....	10
2.5	RC02 REMOTE CONTROL.....	10
2.6	RC03/04/05/06 CABLE.....	11
2.7	RC03 REMOTE CONTROL.....	11
2.8	RC04 REMOTE CONTROL.....	12
2.9	RC05 REMOTE CONTROL.....	12
2.10	RC06 REMOTE CONTROL.....	13

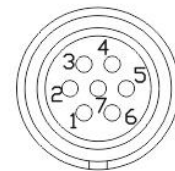
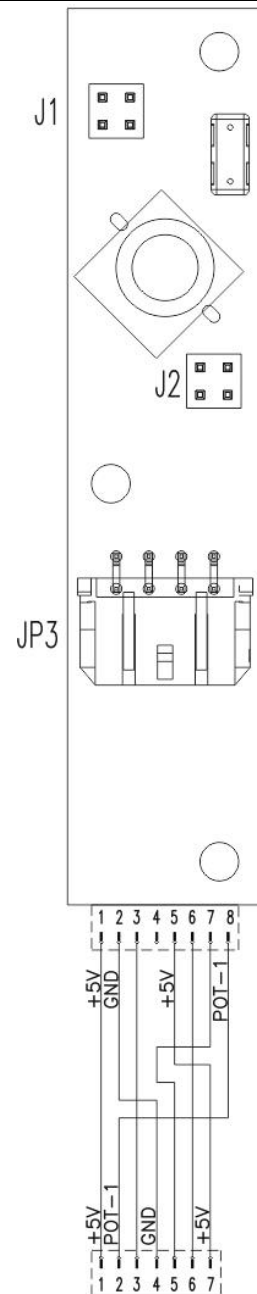
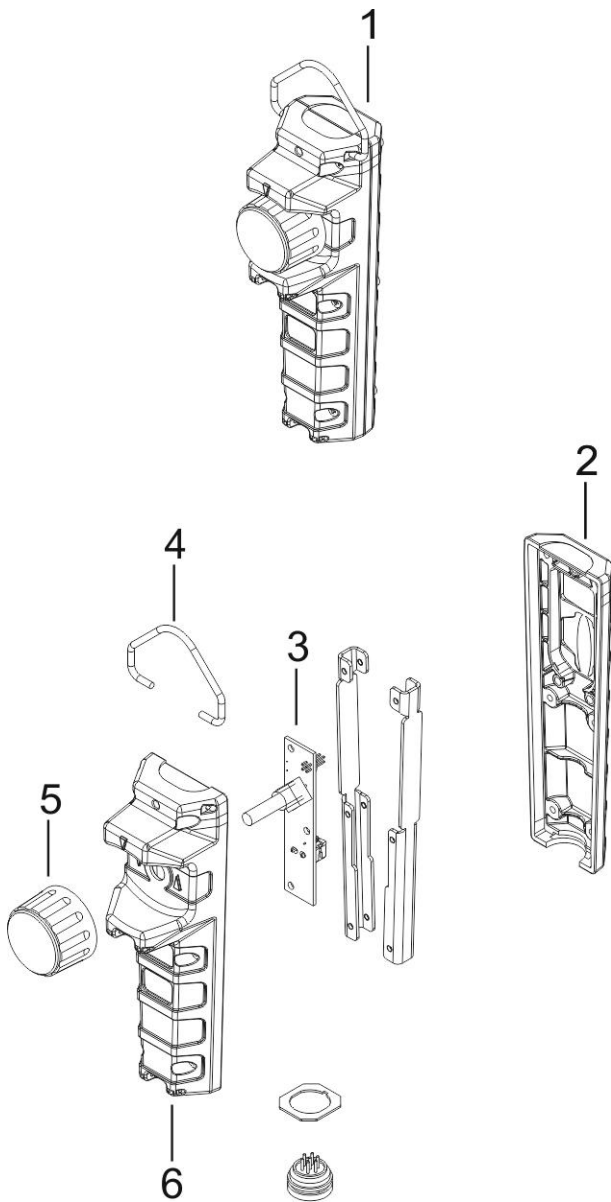
1 RICAMBI - SPARE PARTS - PIÈCES DE RECHANGE - RECAMBIOS - ERSATZTEILE

1.1 RC02



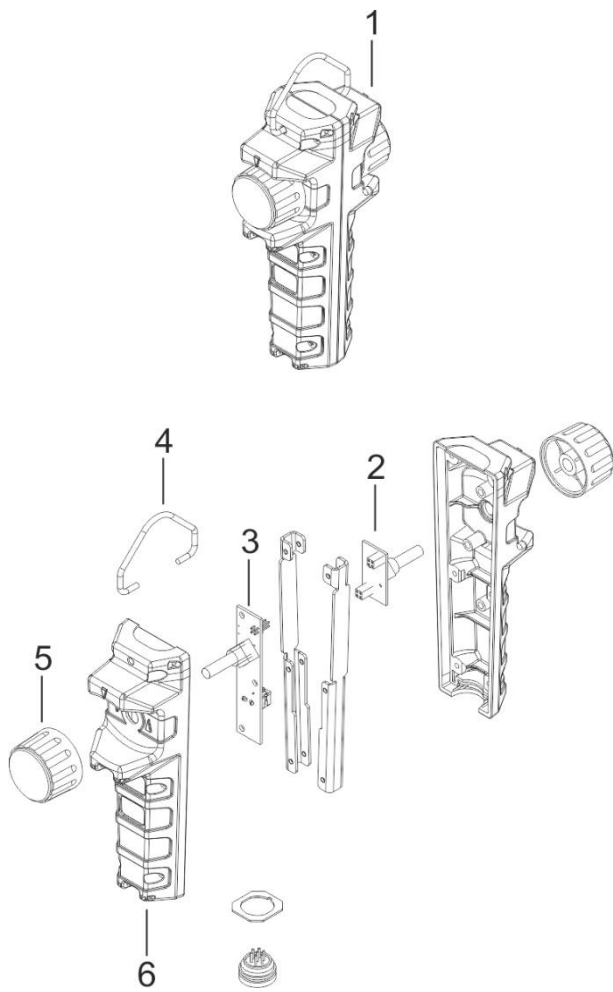
N°	CODE	DESCRIPTION
1	011.0005.0004	UPPER COVER
2	016.0004.0003	GEAR LEVER
3	040.0004.0012	MICRO SWITCH
4	016.0018.2216	SCREW AUTO T.B. 2.2 x 16
5	016.4107.0000	SPACER
6	016.0006.0044	GRUB SCREW M4
7	016.0005.0000	POTENTIOMETER GEAR
8	011.0005.0005	LATERAL SUPPORT
9	016.2000.0003	POTENTIOMETER NUT
10	030.2001.0020	POTENTIOMETER
11	016.0002.0002	PIVOT
12	011.0005.0003	LOWER COVER
13	016.0001.0310	SCREW TC M3 x 10
14	021.0004.0601	6 PIN CONNECTOR
15	016.2100.0300	KNURLED NUT M3
16	016.0009.0004	RUBBER FOOT
17	016.2000.5001	NUT M5
18	011.0005.0007	ALLUMINIUM TUBE
19	016.0018.2530	SCREW TS 2.5 x 30
20	016.0004.0000	SPRING 1
21	011.0005.0006	LATERAL SUPPORT
22	016.0004.0001	SPRING 2
23	016.0004.0002	SPRING 3
24	011.0005.0008	POTENTIOMETER RUBBER PROTECTION

1.2 RC03

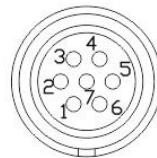
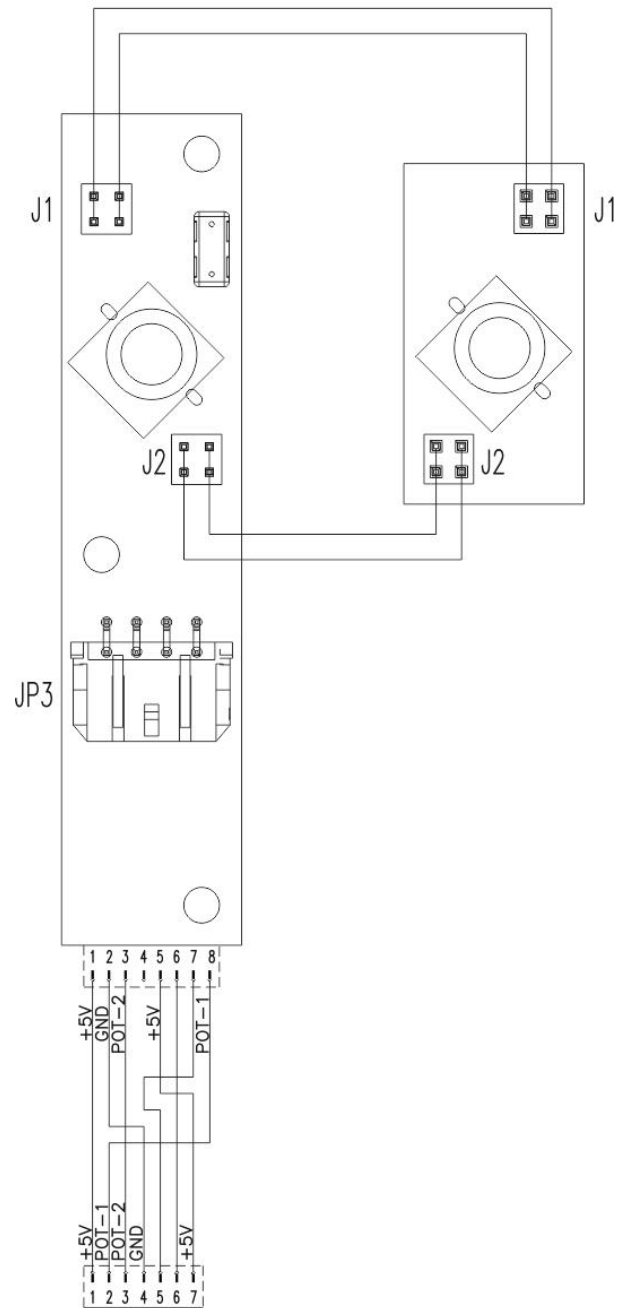


N°	CODE	DESCRIPTION
1	006.0003.0130	RC-03
2	012.0021.0030	REAR PLASTIC
3	050.1501.0197	RC-03 BOARD
4	011.0005.0021	HOOK
5	014.0002.00027	KNOB+CAP
6	012.0021.0010	FRONT PLASTIC

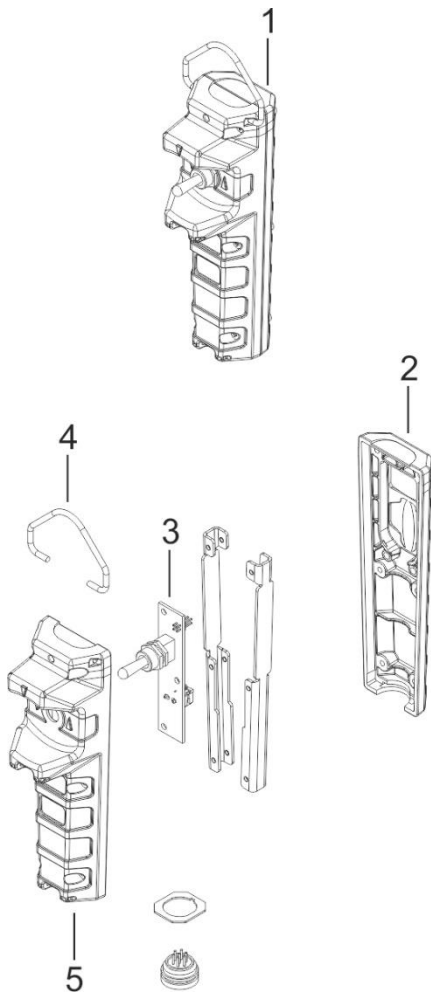
1.3 RC04



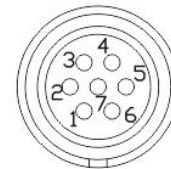
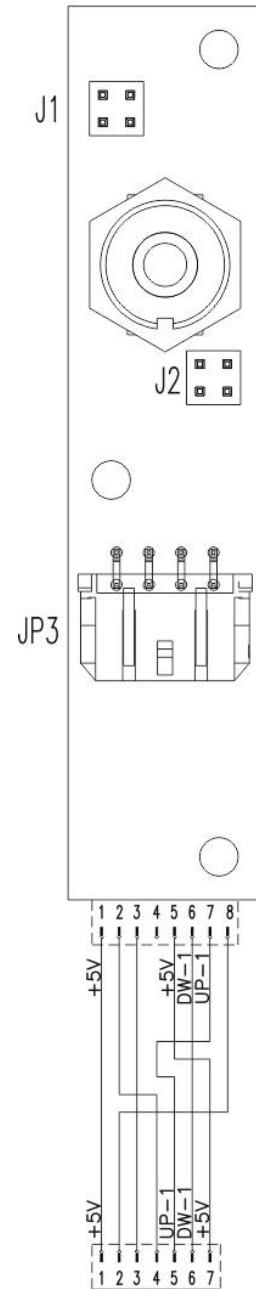
N°	CODE	DESCRIPTION
1	006.0003.0131	RC-04
2	050.1501.0198	RC-04 BOARD ADD-ON
3	050.1501.0197	RC-03 BOARD
4	011.0005.0021	HOOK
5	014.0002.00027	KNOB+CAP
6	012.0021.0010	FRONT PLASTIC



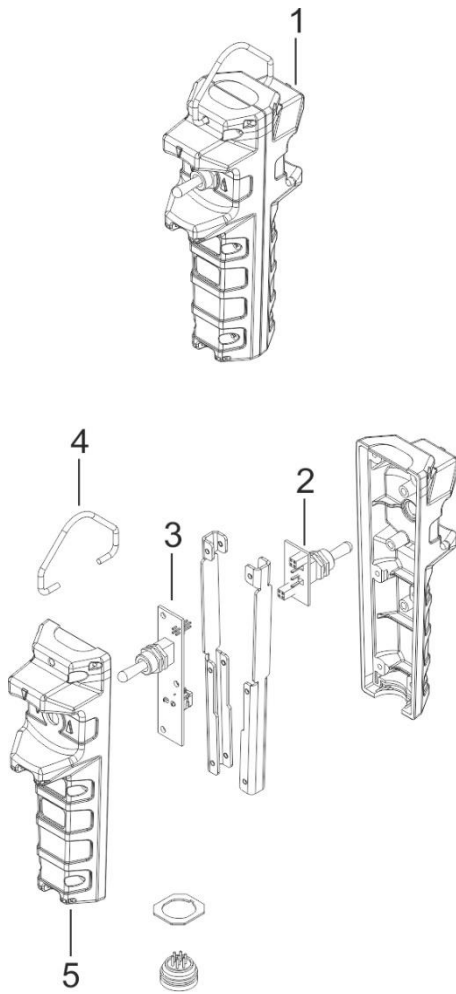
1.4 RC05



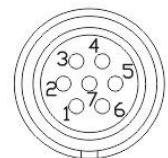
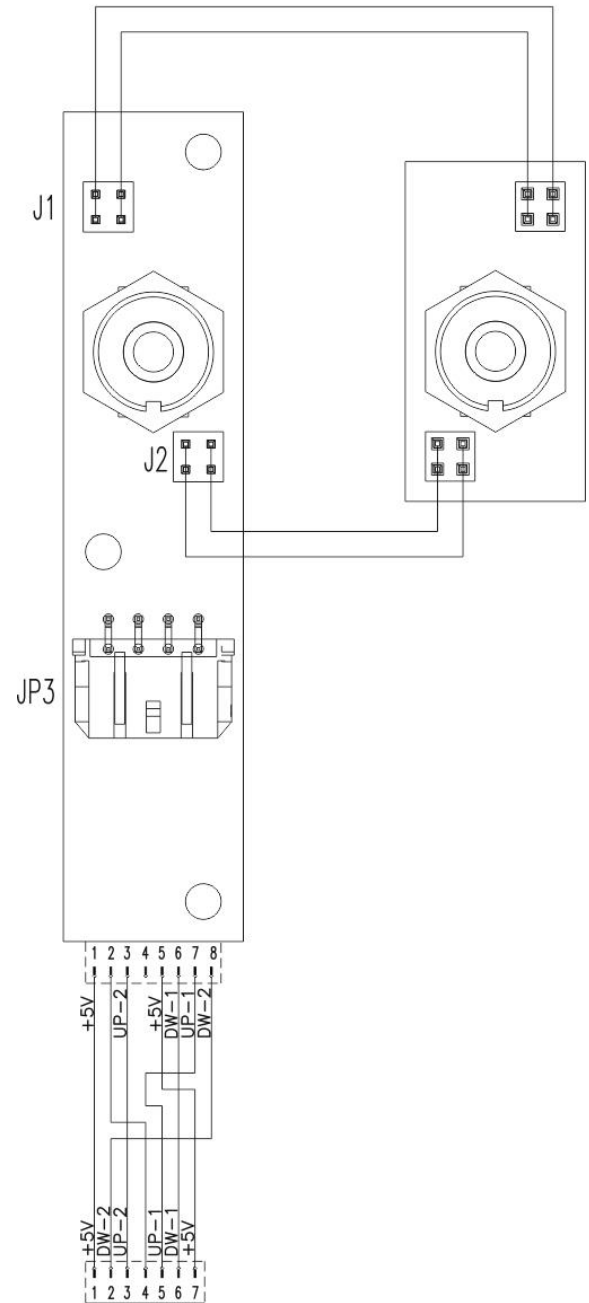
N°	CODE	DESCRIPTION
1	006.0003.0132	RC-05
2	012.0021.0030	REAR PLASTIC
3	050.1502.0197	RC-05 BOARD
4	011.0005.0021	HOOK
5	012.0021.0010	FRONT PLASTIC



1.5 RC06

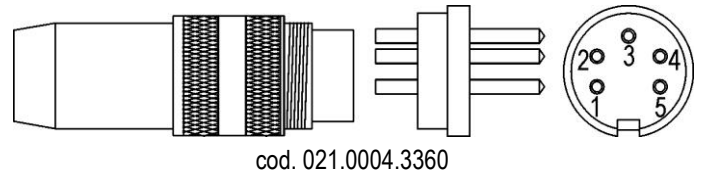
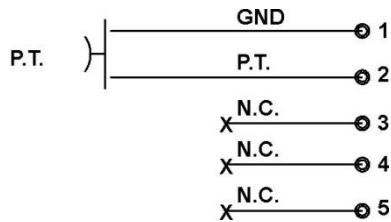


N°	CODE	DESCRIPTION
1	006.0003.0133	RC-06
2	050.1502.0198	RC-06 BOARD ADD-ON
3	050.1502.0197	RC-05 BOARD
4	011.0005.0021	HOOK
5	012.0021.0010	FRONT PLASTIC

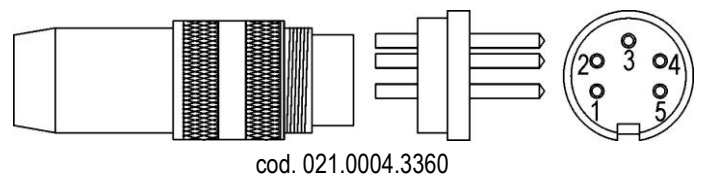
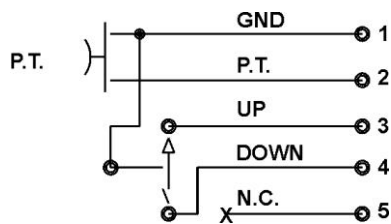


2 SCHEMA ELETTRICO - ELECTRICAL DIAGRAM - SCHÈMA ÉLECTRIQUE - ESQUEMA ELÈCTRICO - SCHLTAFEL

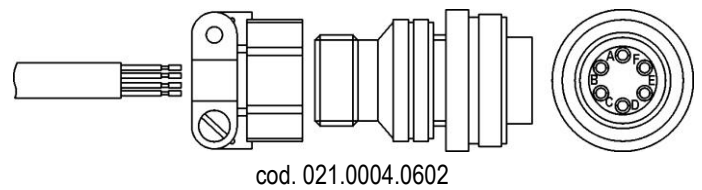
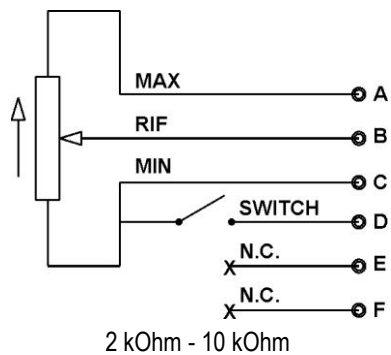
2.1 TORCH



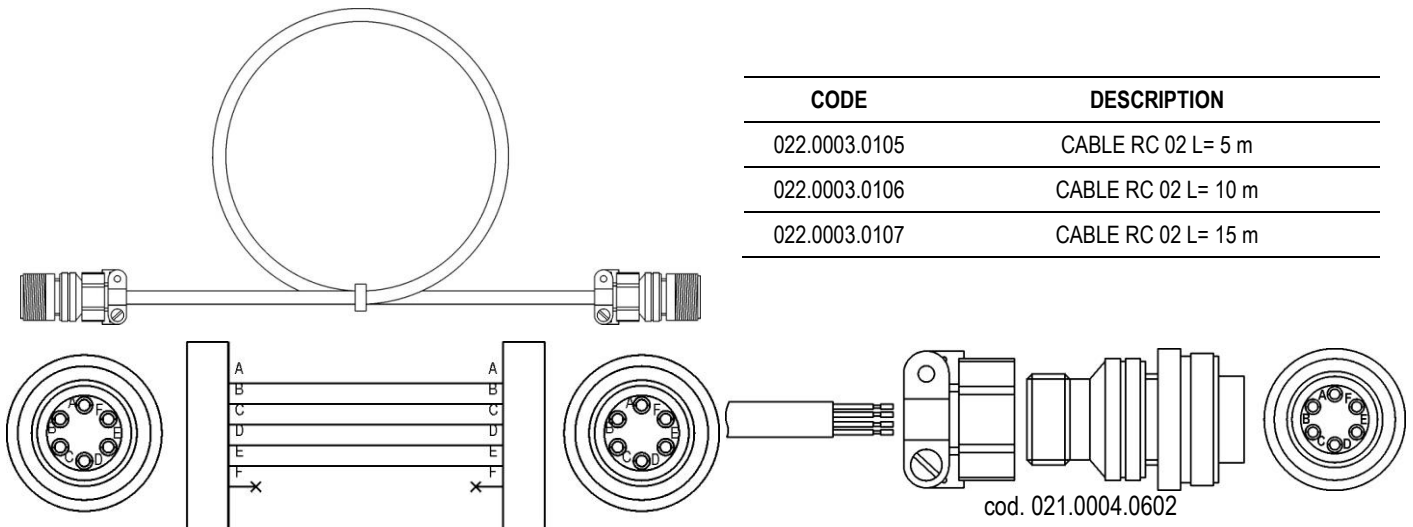
2.2 UP & DOWN TORCH



2.3 TORCH WITH POTENTIOMETER

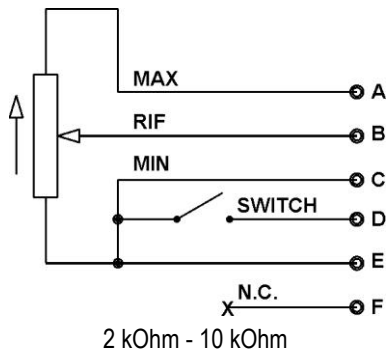


2.4 RC02 CABLE

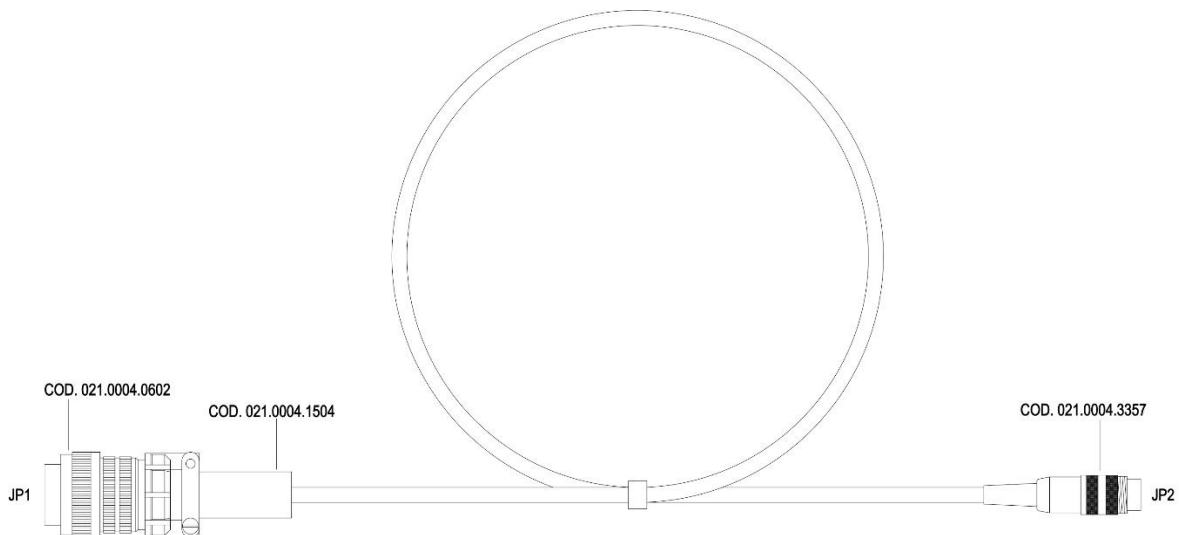


CODE	DESCRIPTION
022.0003.0105	CABLE RC 02 L= 5 m
022.0003.0106	CABLE RC 02 L= 10 m
022.0003.0107	CABLE RC 02 L= 15 m

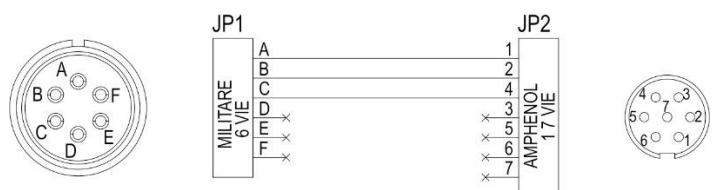
2.5 RC02 REMOTE CONTROL



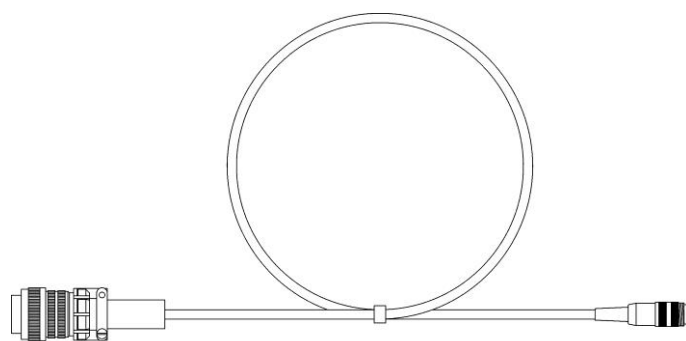
2.6 RC03 CABLE (6 PINS CONNECTOR)



CODE	DESCRIPTION
022.0002.0166	CABLE RC03 MIL 6 PIN L= 5 m
022.0002.0167	CABLE RC03 MIL 6 PIN L= 10 m
022.0002.0168	CABLE RC03 MIL 6 PIN L= 15 m

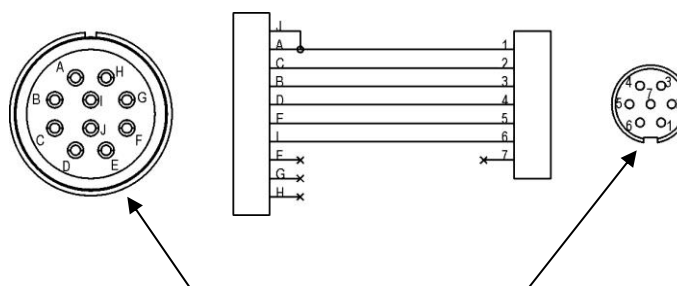


2.7 RC03/04/05/06 CABLE (10 PINS CONNECTOR / 14 PINS CONNECTOR)



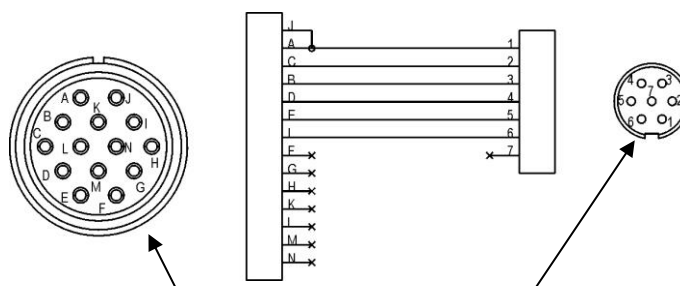
CODE	DESCRIPTION
022.0003.0169	CABLE RC03/04/05/06 10 PIN L= 5 m
022.0003.0170	CABLE RC03/04/05/06 10 PIN L= 10 m
022.0003.0171	CABLE RC03/04/05/06 10 PIN L= 15 m

CODE	DESCRIPTION
022.0003.0172	CABLE RC03/04/05/06 14 PIN L= 5 m
022.0003.0173	CABLE RC03/04/05/06 14 PIN L= 10 m
022.0003.0174	CABLE RC03/04/05/06 14 PIN L= 15 m



cod. 021.0004.1002

cod. 021.0004.3357

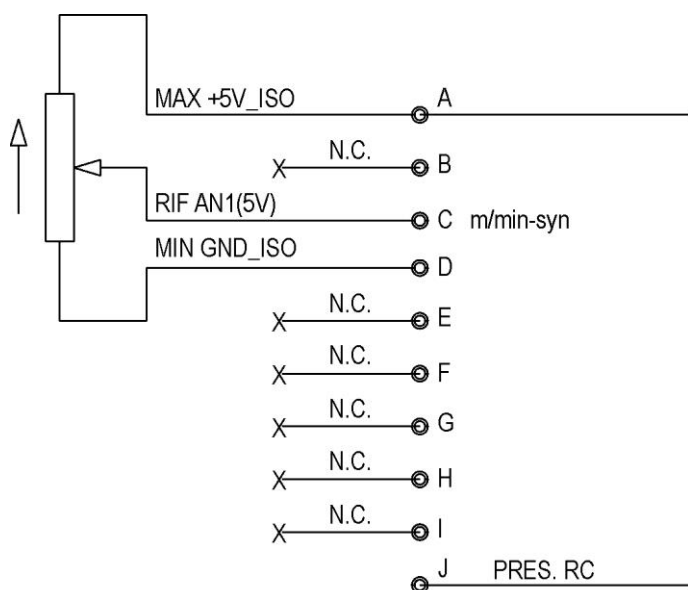


cod. 021.0004.1502

cod. 021.0004.3357

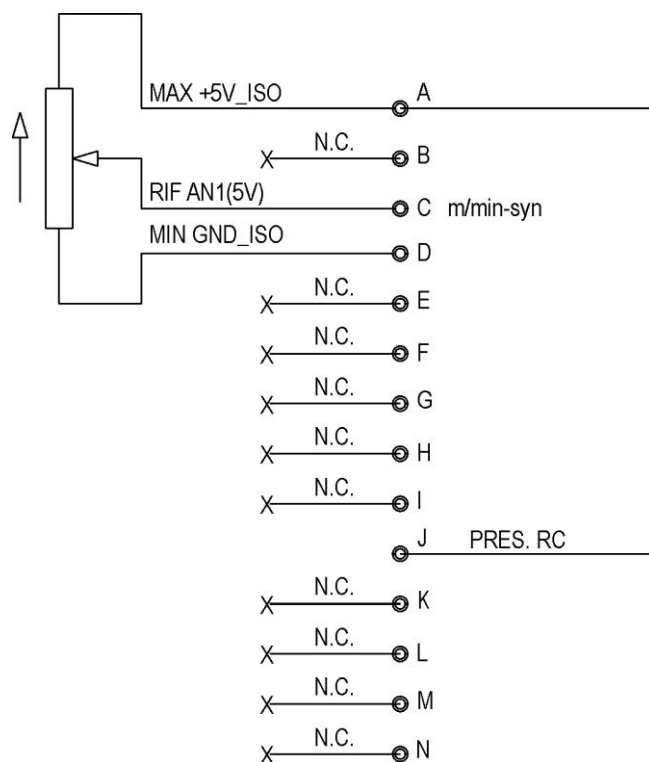
2.8 RC03 REMOTE CONTROL

10 PIN



10 kOhm

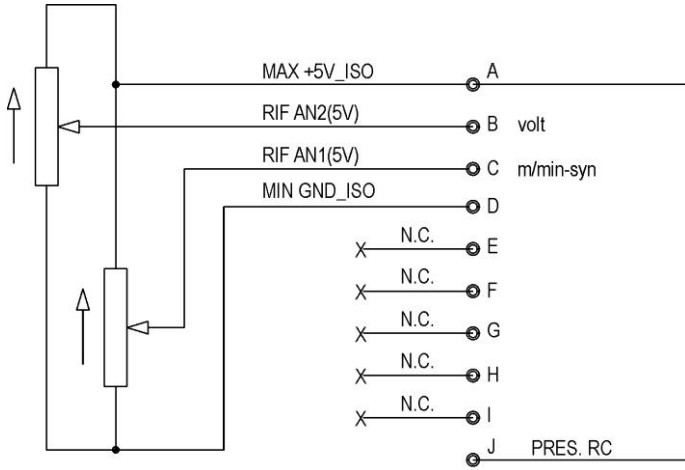
14 PIN



10 kOhm

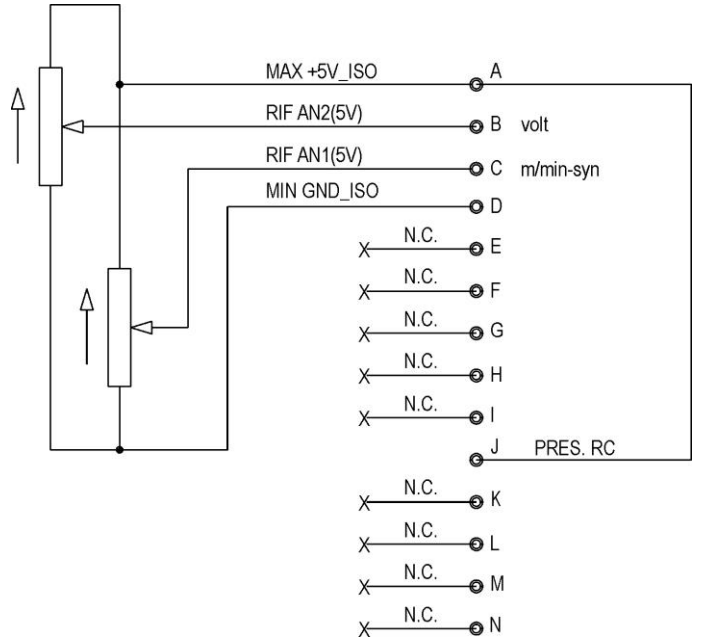
2.9 RC04 REMOTE CONTROL

10 PIN



10 kOhm

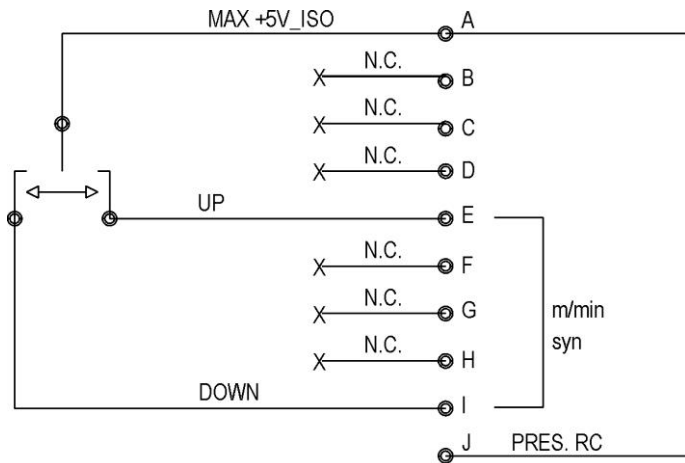
14 PIN



10 kOhm

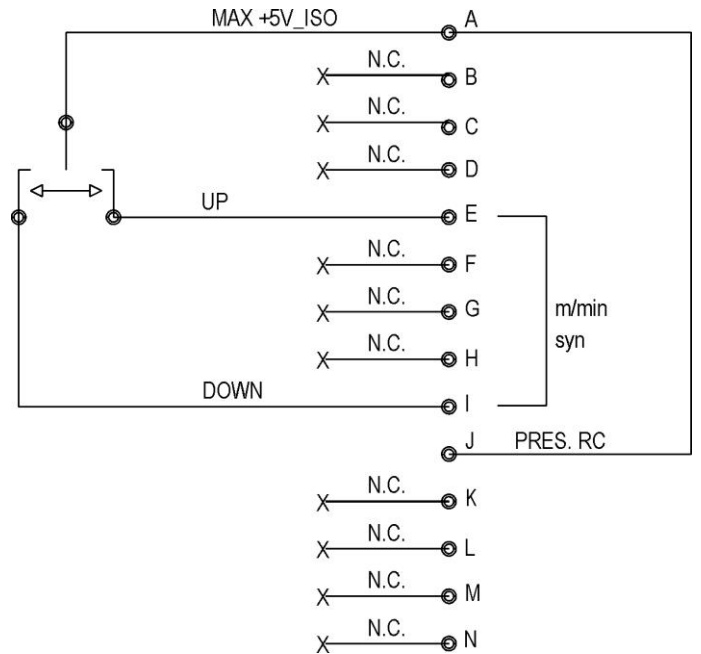
2.10 RC05 REMOTE CONTROL

10 PIN



10 kOhm

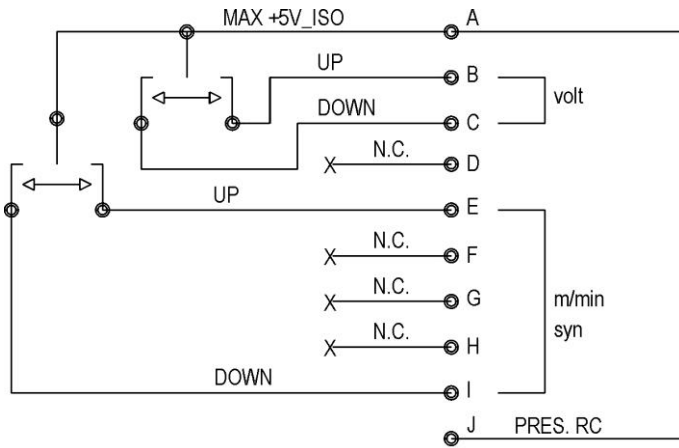
14 PIN



10 kOhm

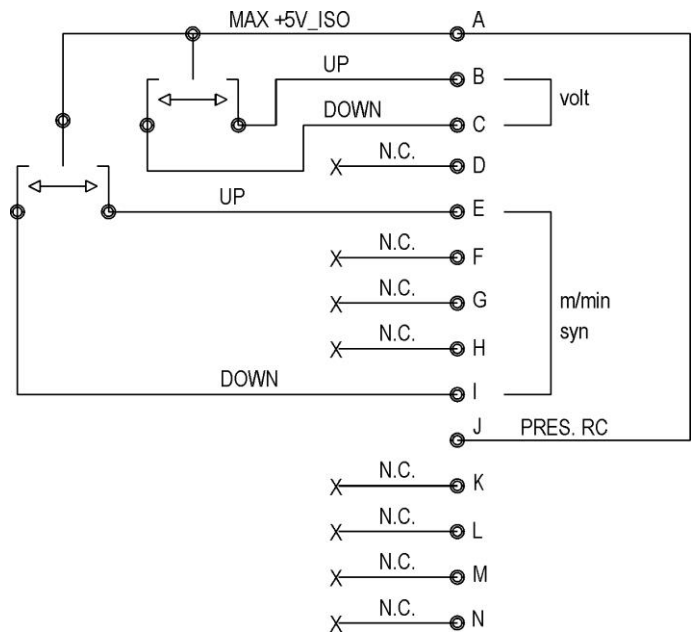
2.11 RC06 REMOTE CONTROL

10 PIN



10 kOhm

14 PIN



10 kOhm

