

# **Push-Pull**

## **Electrical diagrams**



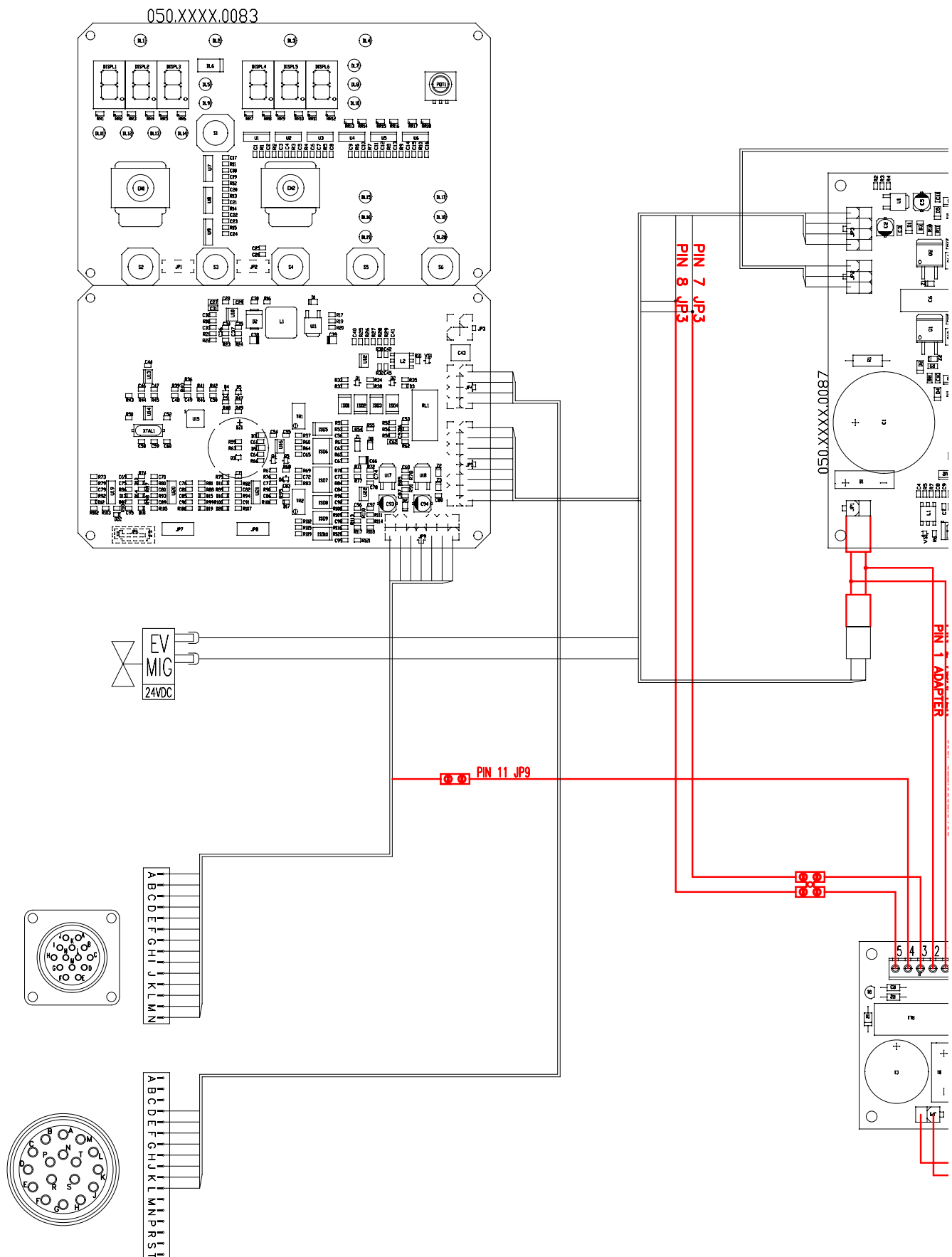
---

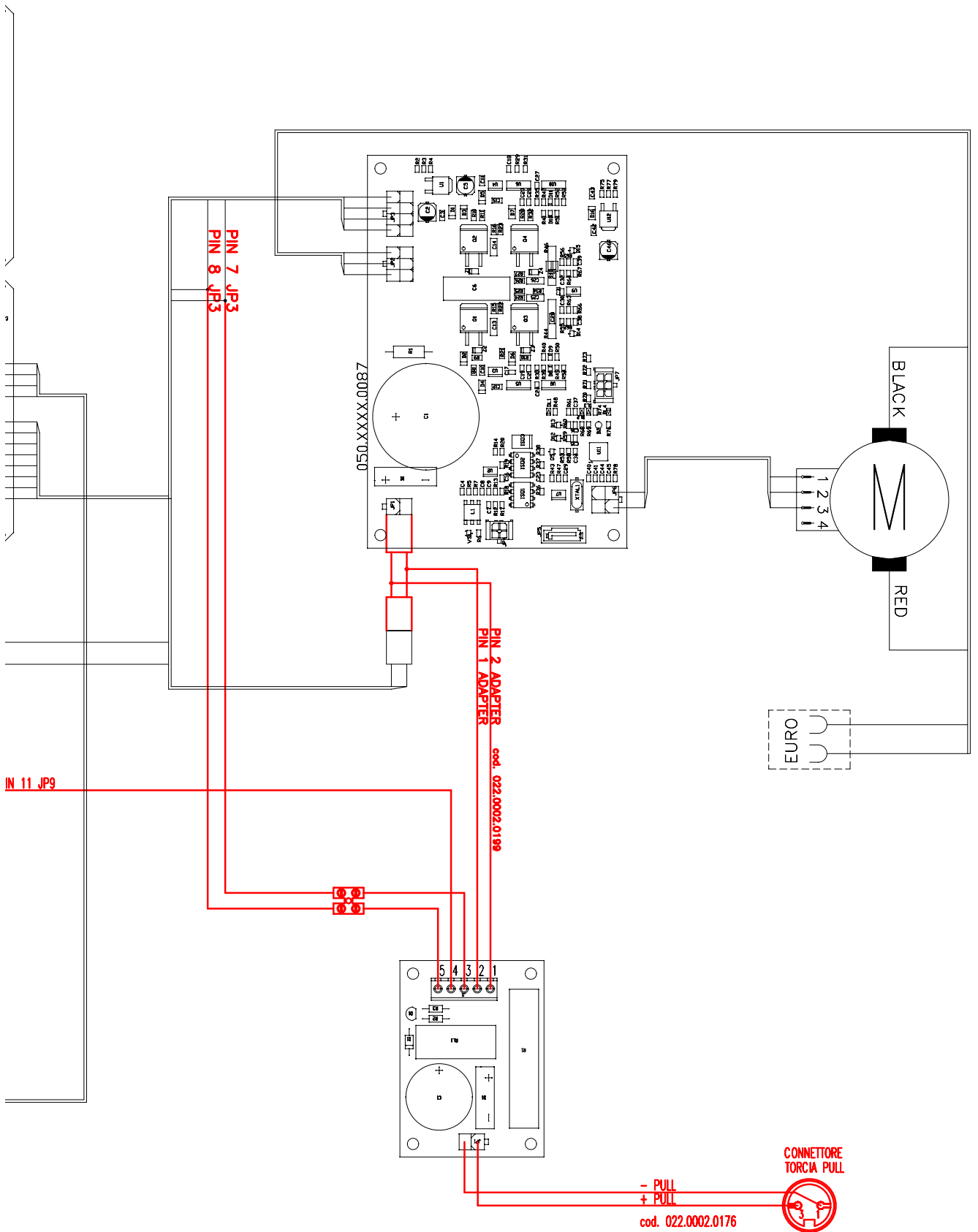
---

## **INDICE GENERALE**

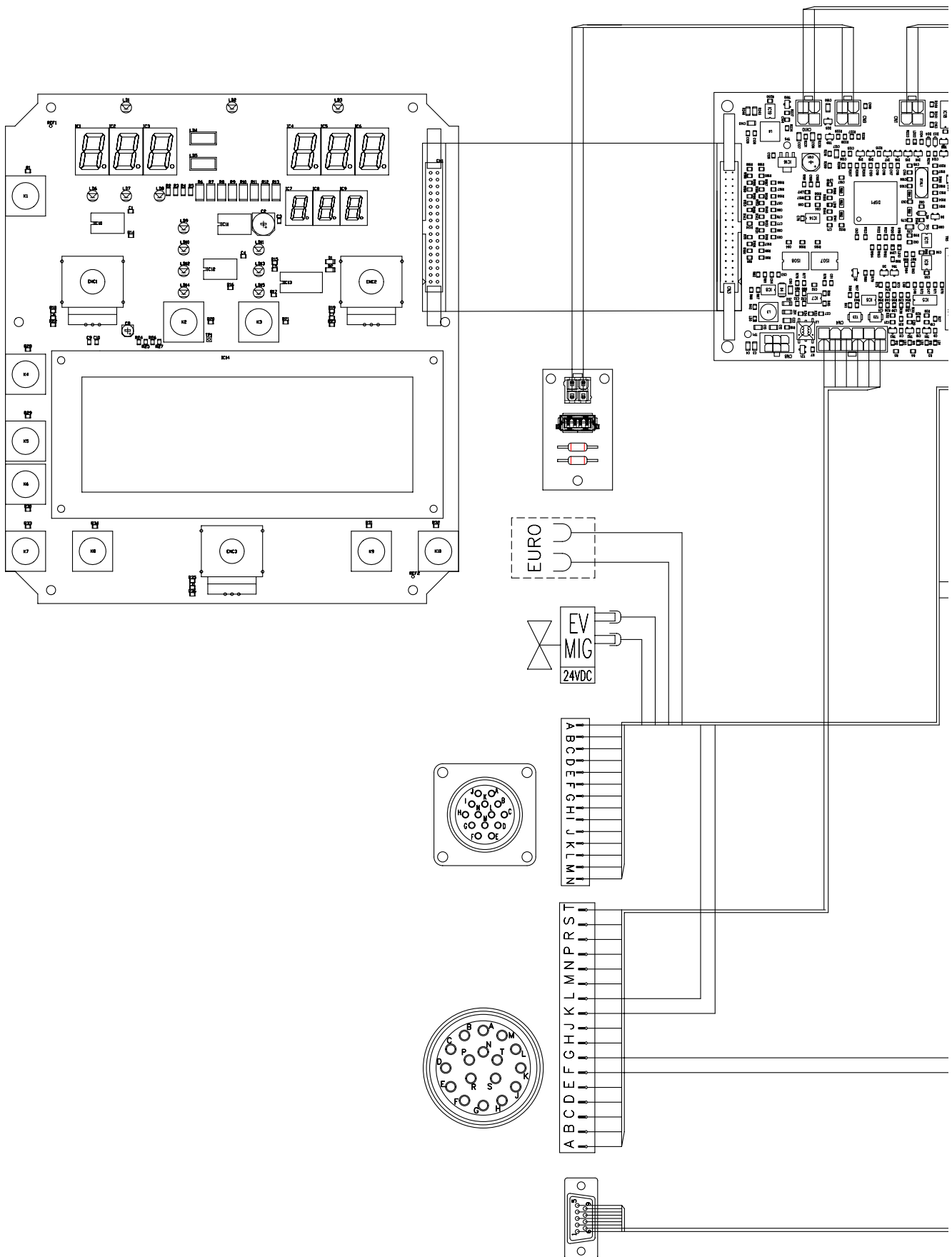
<b>1</b>	<b>ELECTRICAL DIAGRAM FOR WF-103, WF-105,WF-107. ....</b>	<b>4</b>
<b>2</b>	<b>ELECTRICAL DIAGRAM FOR WF-104. ....</b>	<b>6</b>
<b>3</b>	<b>ELECTRICAL DIAGRAM FOR WF-203, WF-208. ....</b>	<b>8</b>
<b>4</b>	<b>ELECTRICAL DIAGRAM FOR 321MKS. ....</b>	<b>10</b>
<b>5</b>	<b>ELECTRICAL DIAGRAM FOR 401MKS. ....</b>	<b>12</b>
<b>6</b>	<b>ELECTRICAL DIAGRAM FOR MICROMAG 302MFK. ....</b>	<b>14</b>
<b>6.1</b>	<b>ASSEMBLY ....</b>	<b>16</b>
<b>7</b>	<b>ELECTRICAL DIAGRAM FOR MICROPULSE 302MFK. ....</b>	<b>20</b>
<b>7.1</b>	<b>ASSEMBLY ....</b>	<b>22</b>

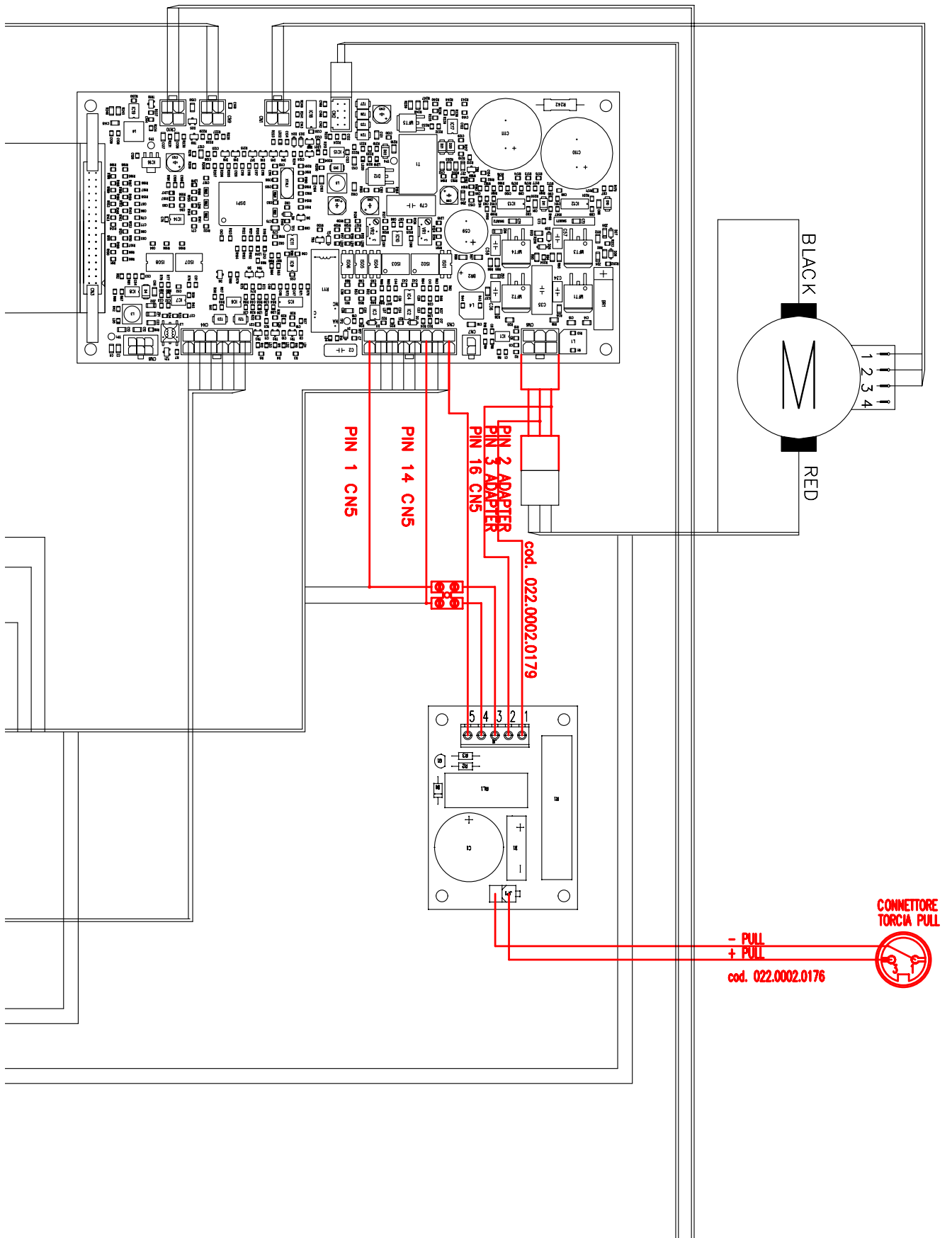
# 1 ELECTRICAL DIAGRAM FOR WF-103, WF-105,WF-107.



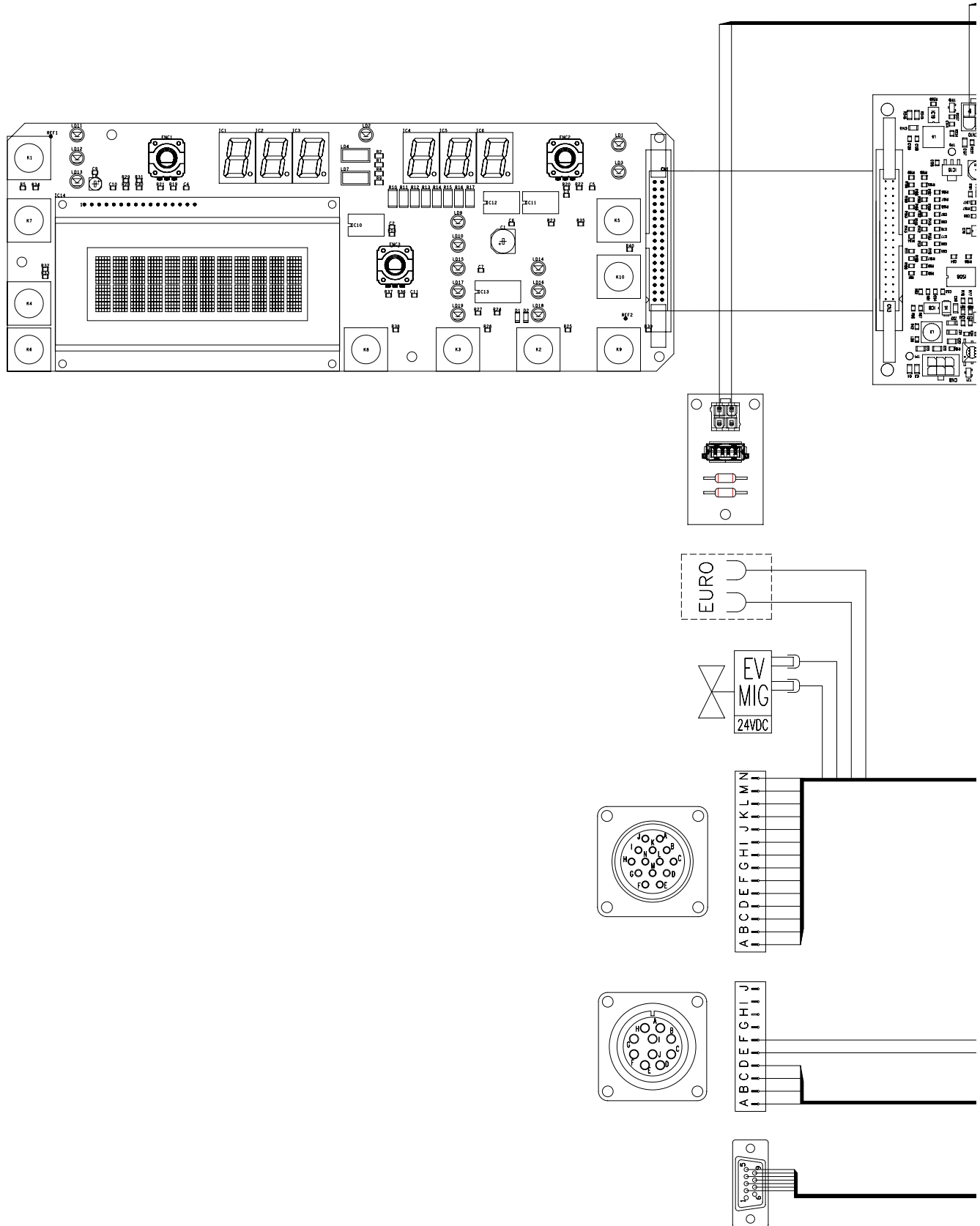


## 2 ELECTRICAL DIAGRAM FOR WF-104.

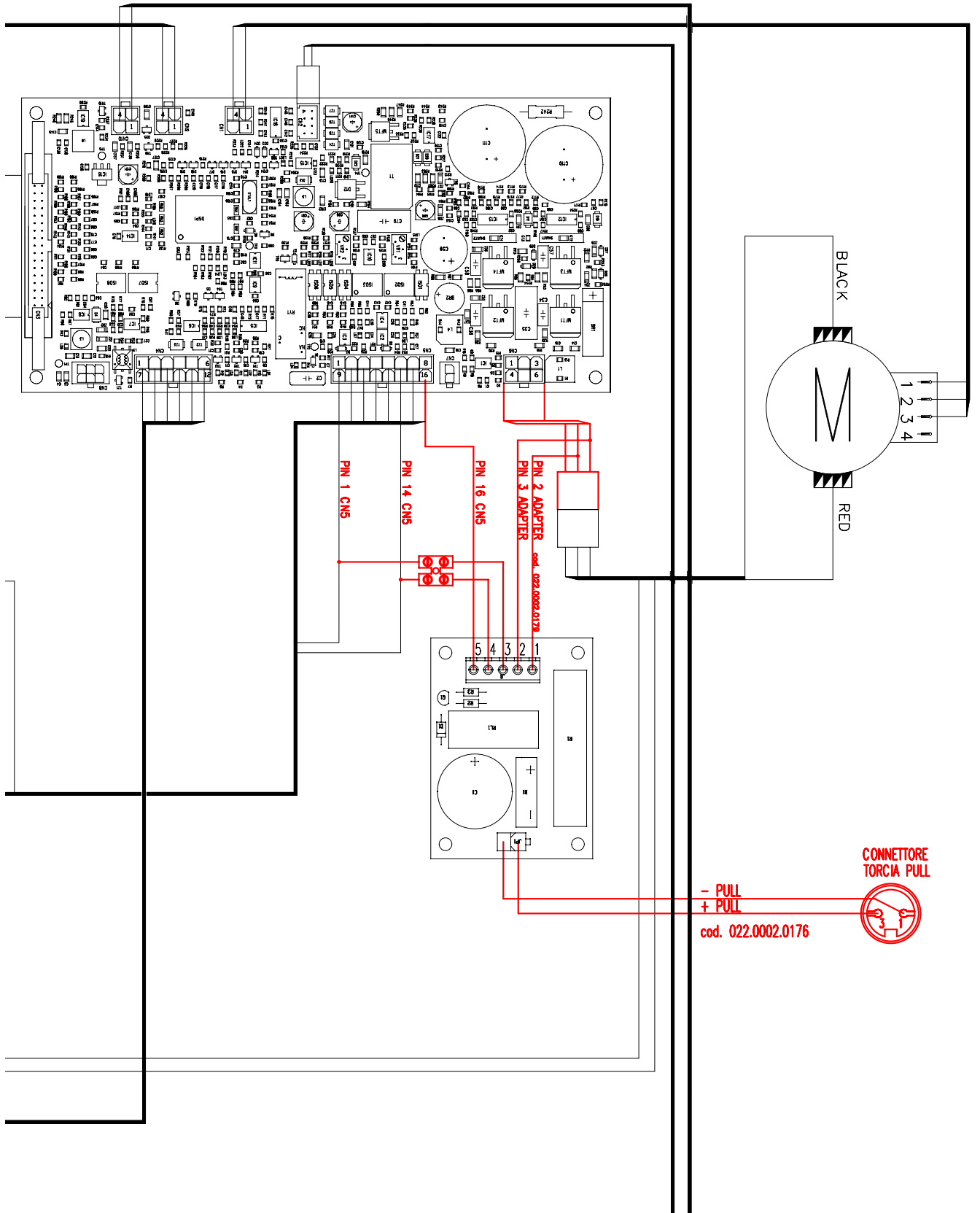




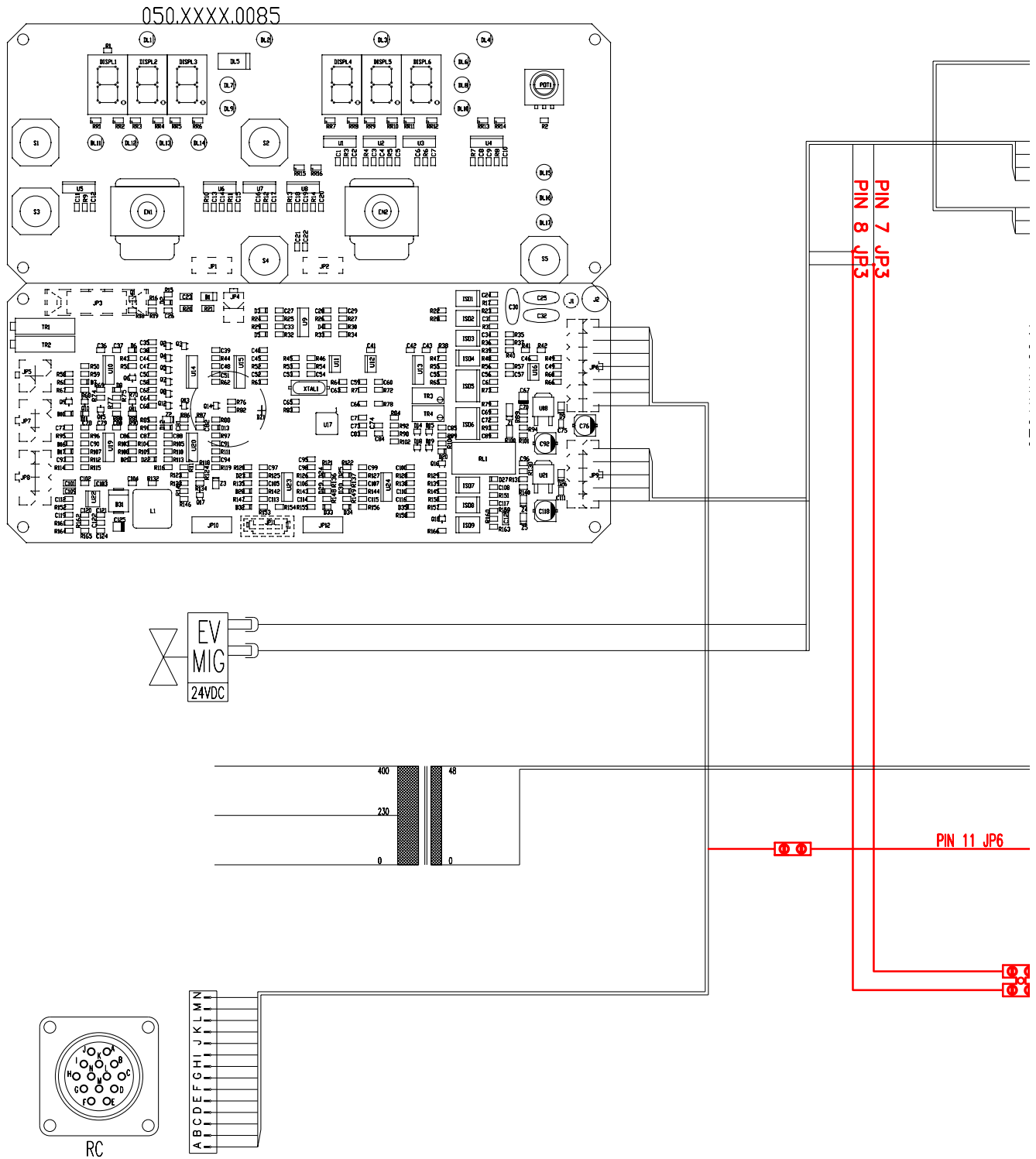
### 3 ELECTRICAL DIAGRAM FOR WF-203, WF-208.

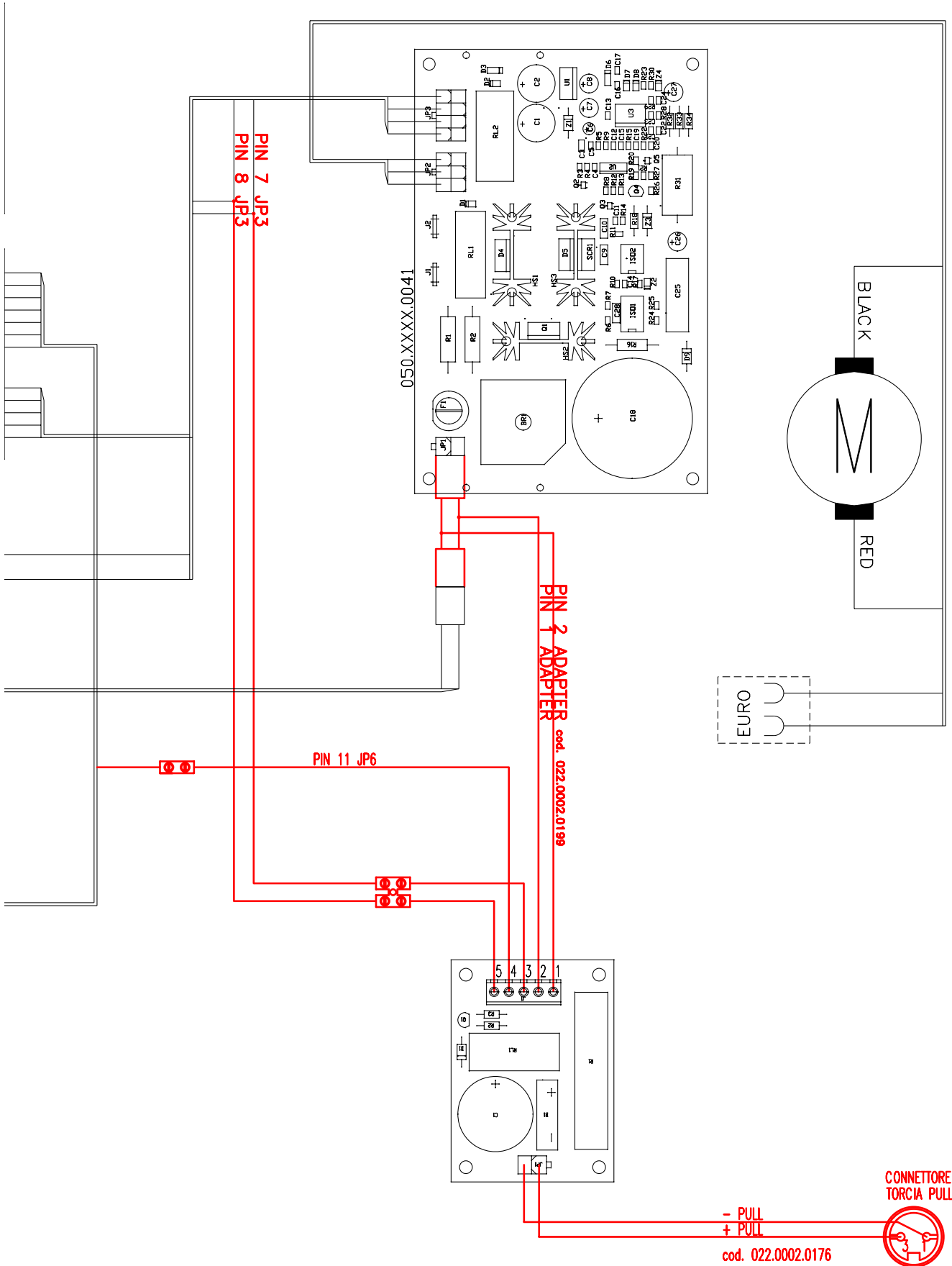




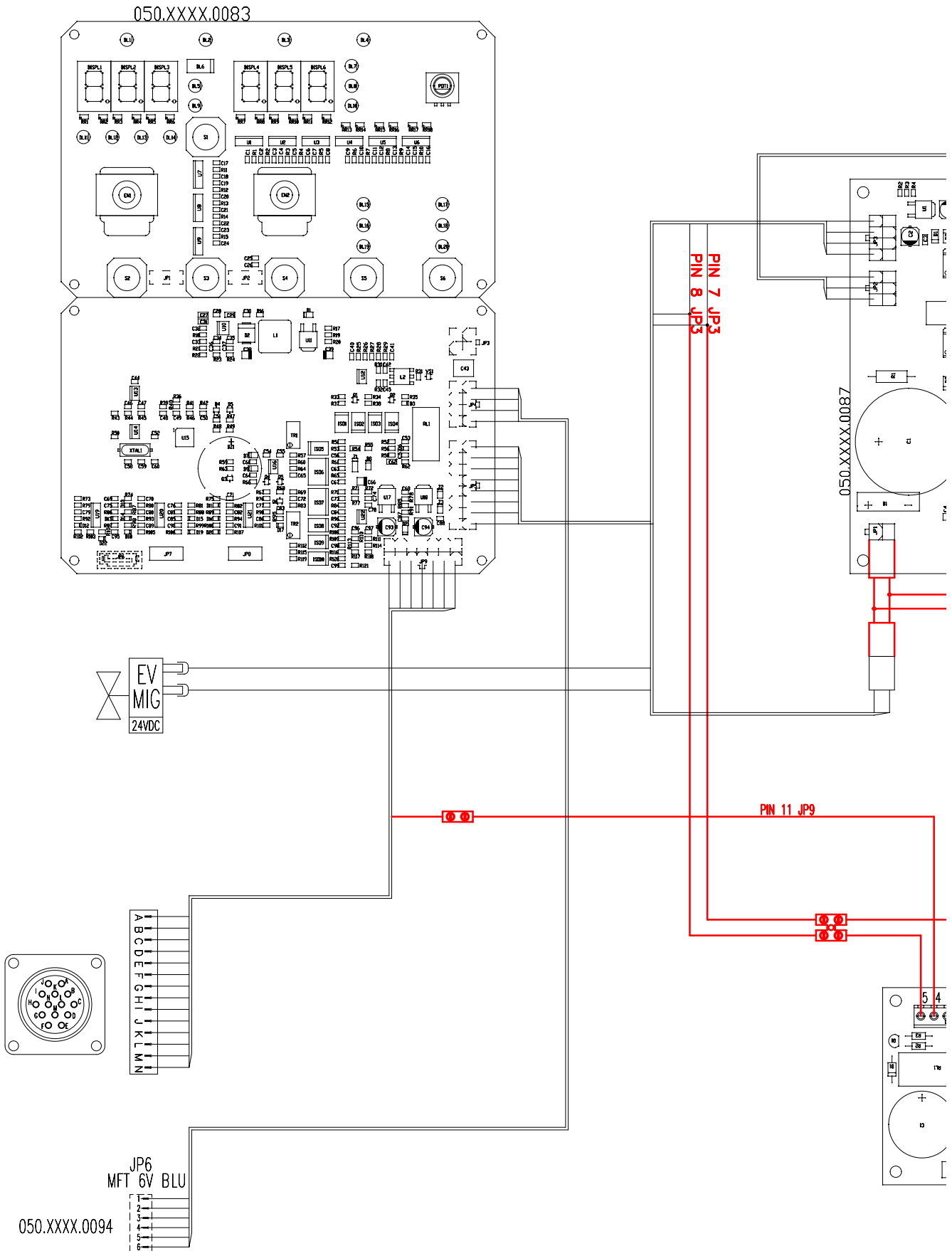


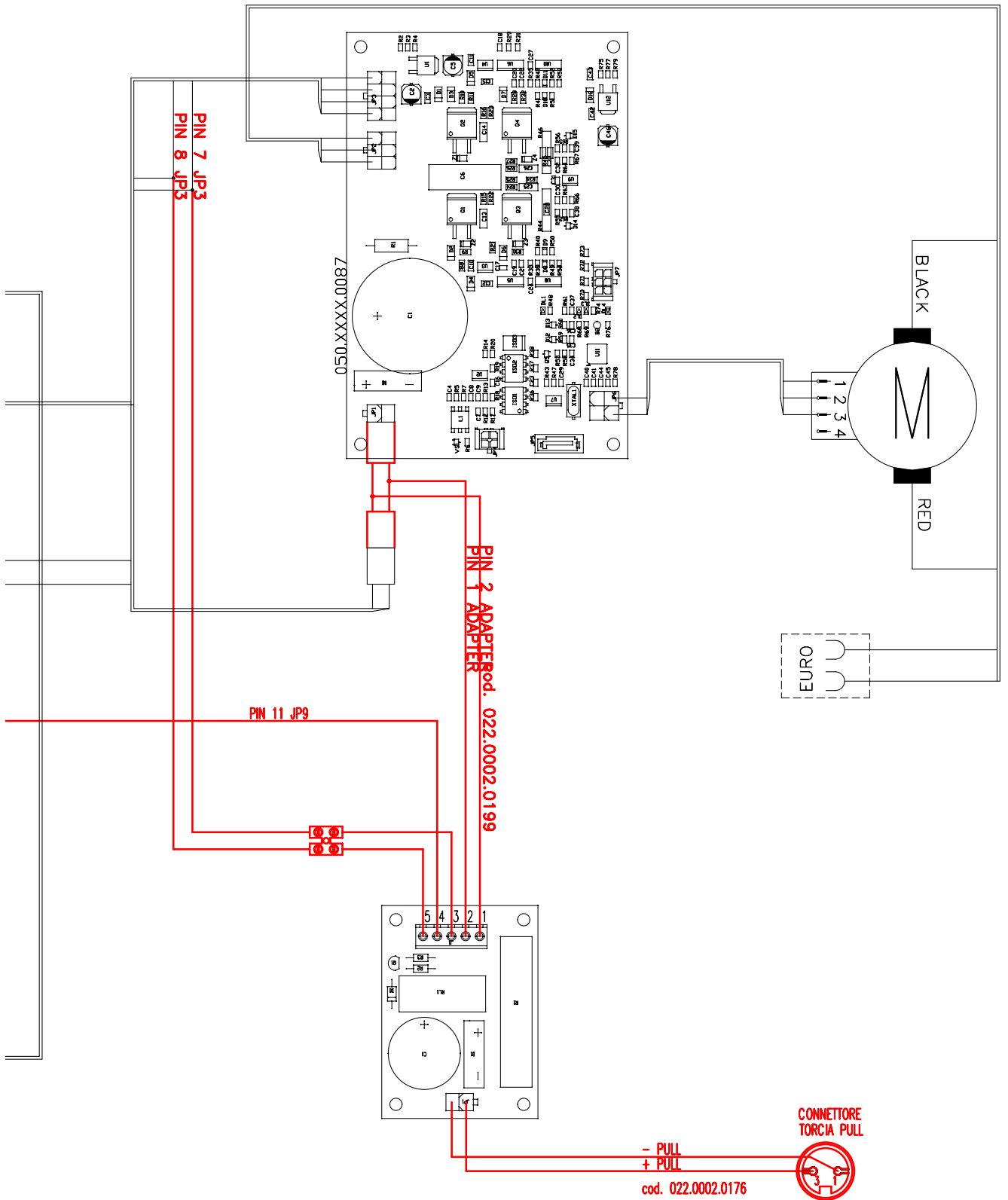
### 4 ELECTRICAL DIAGRAM FOR 321MKS.



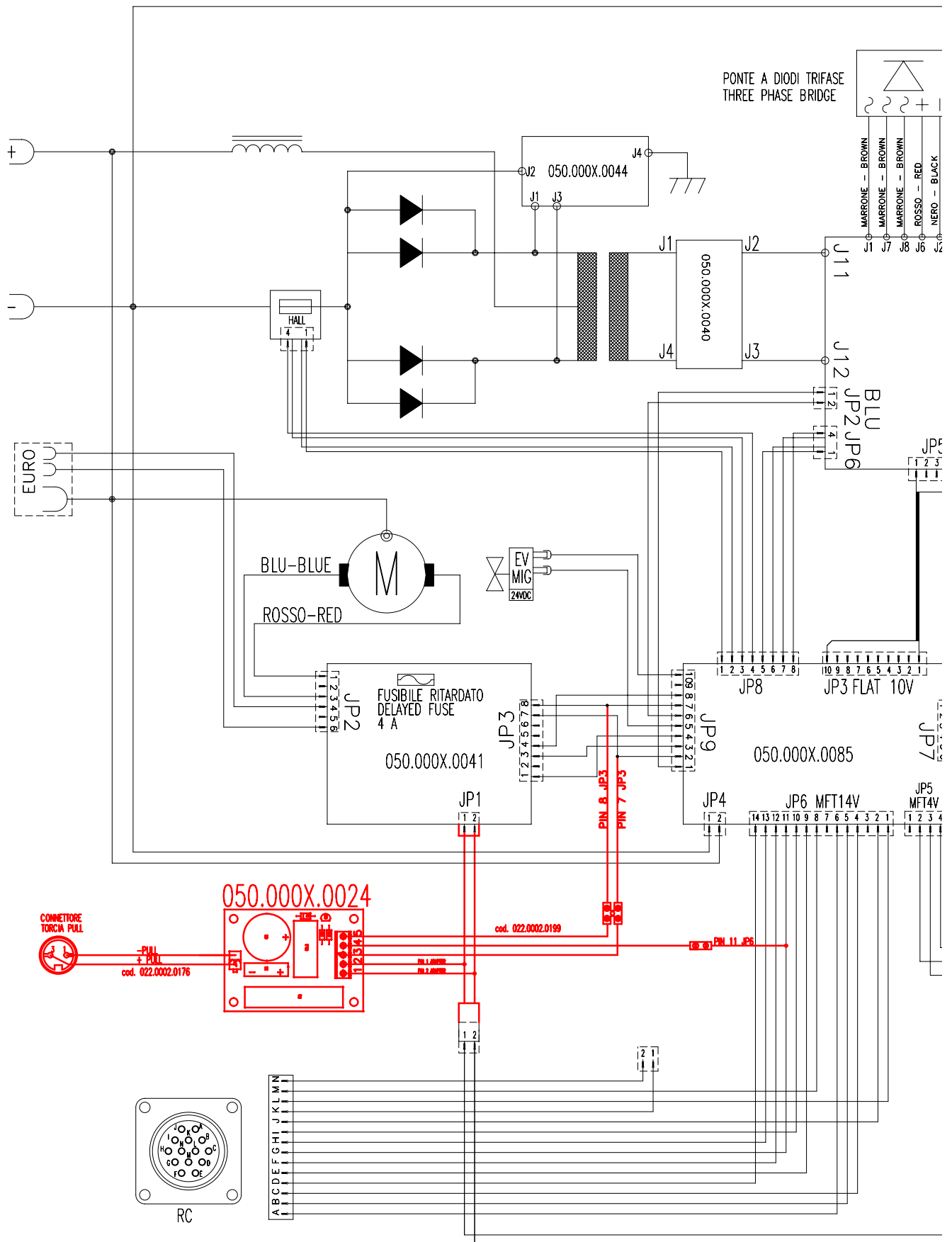


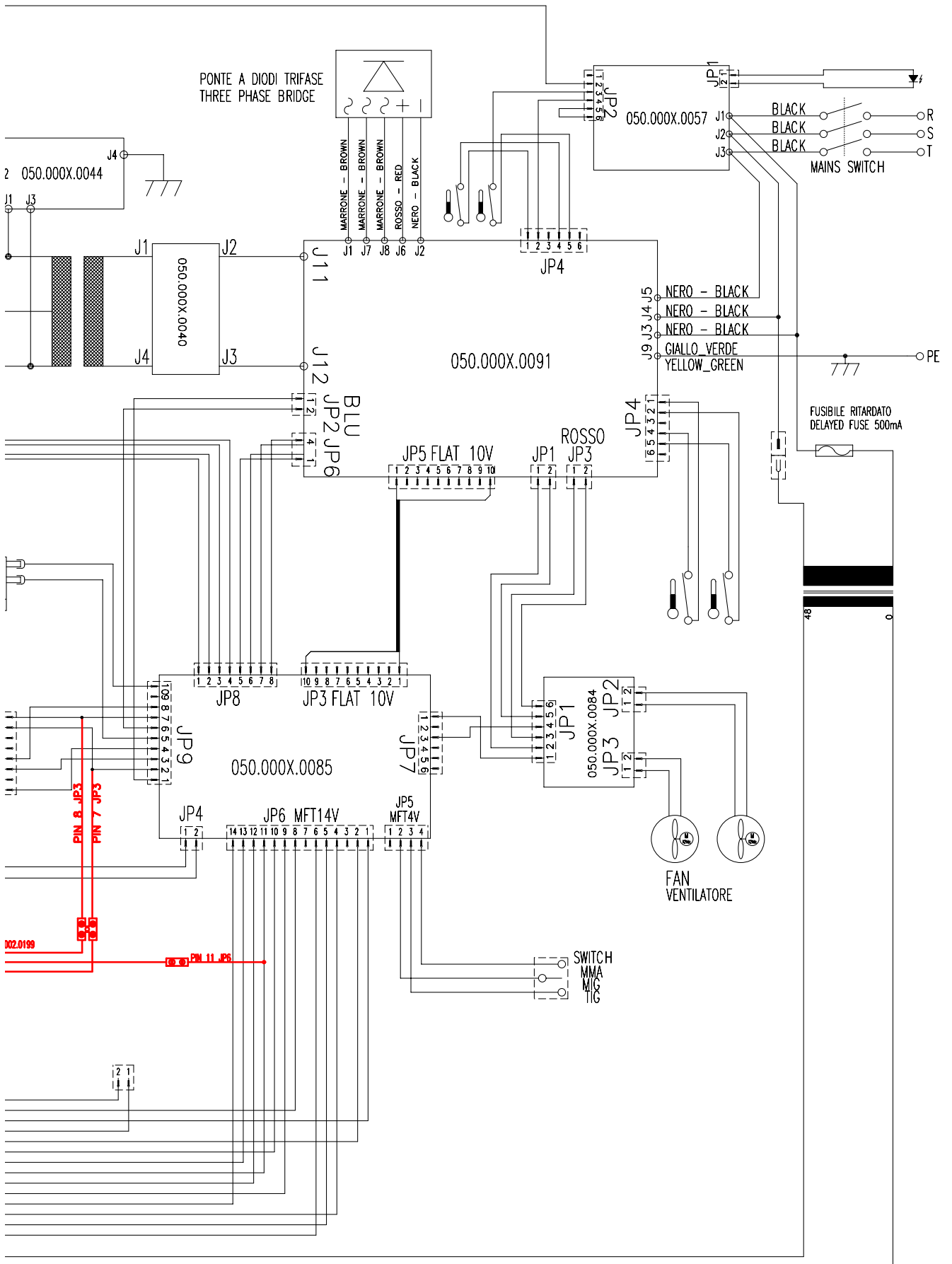
# 5 ELECTRICAL DIAGRAM FOR 401MKS.



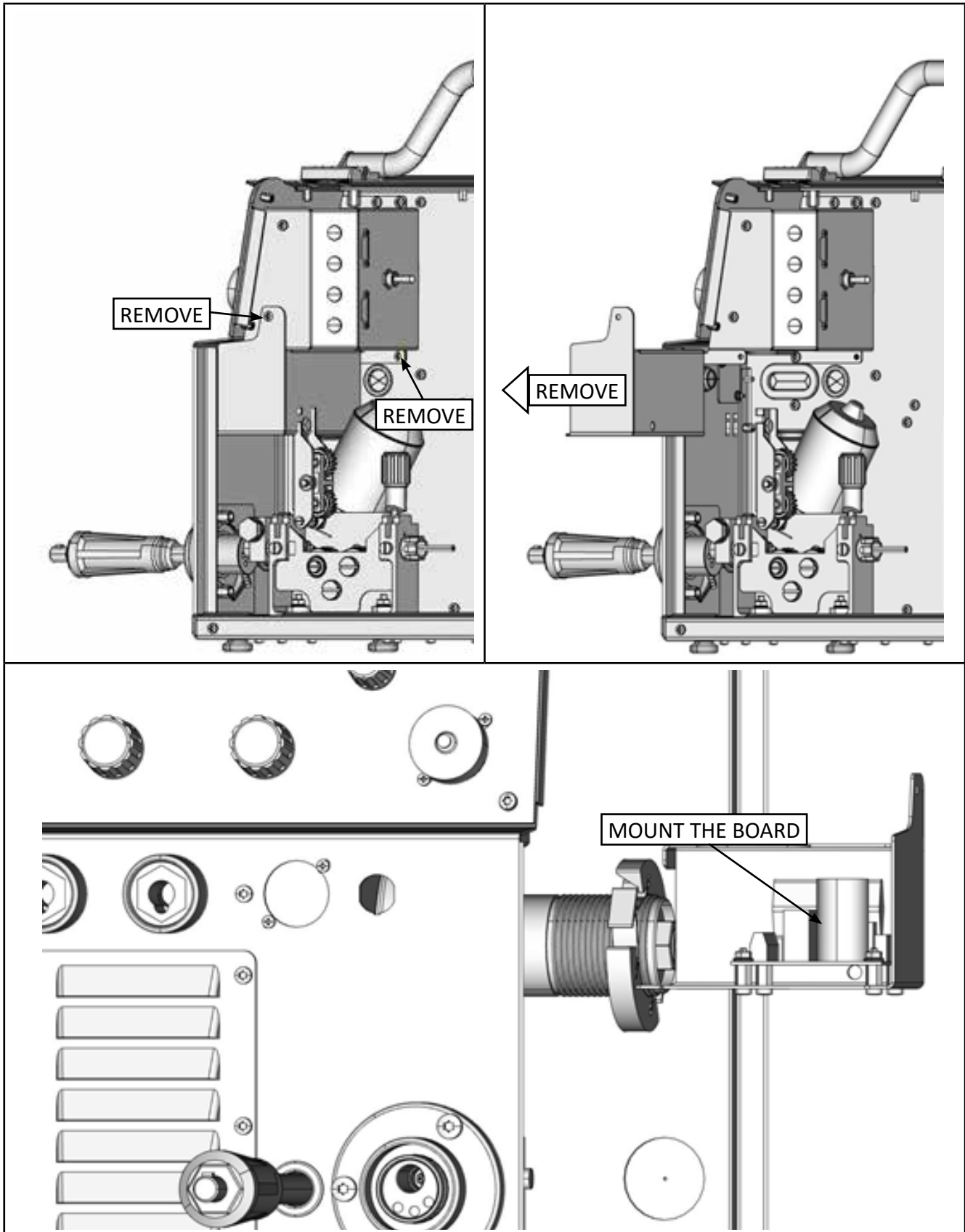


## 6 ELECTRICAL DIAGRAM FOR MICROMAG 302MFK.

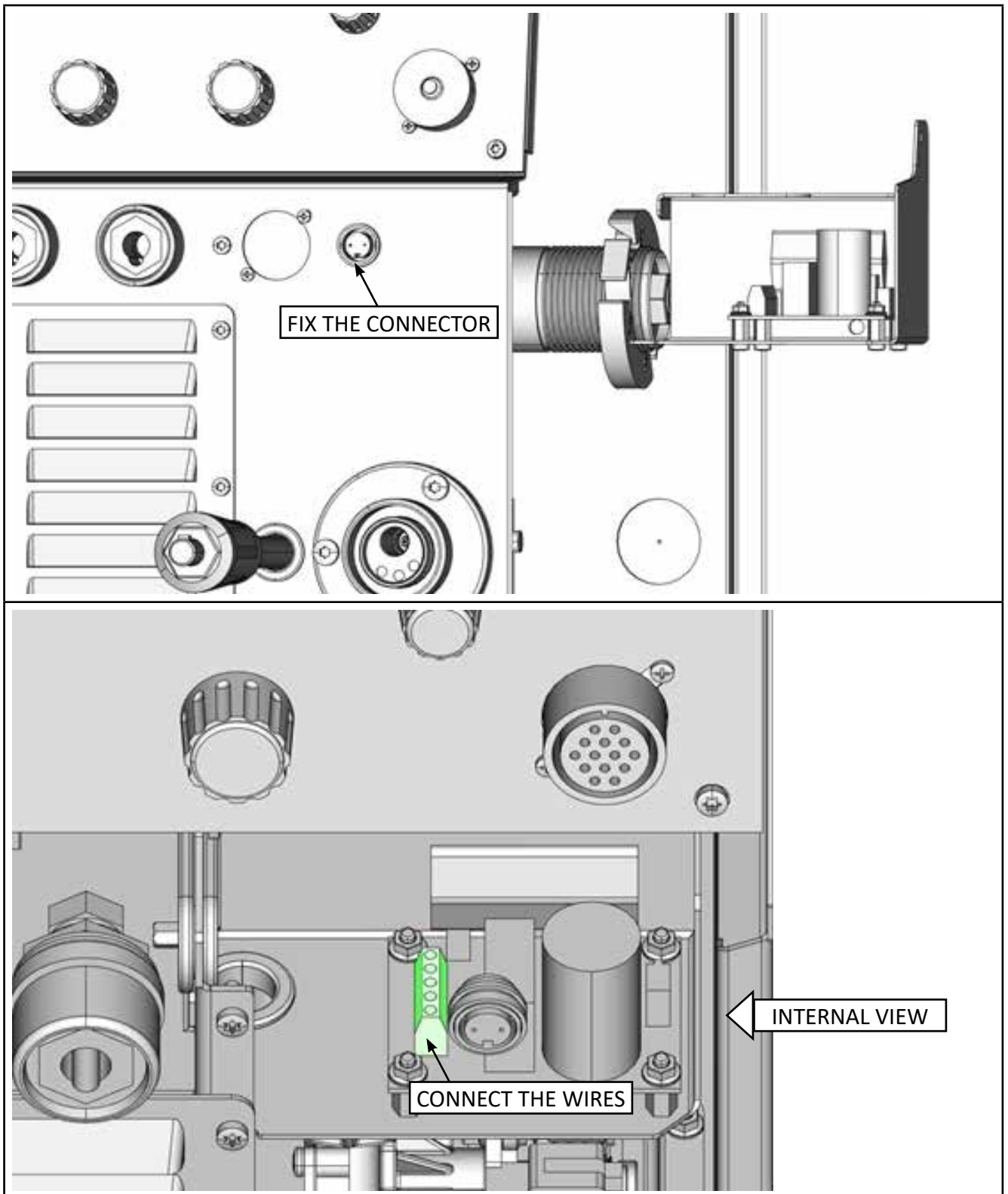


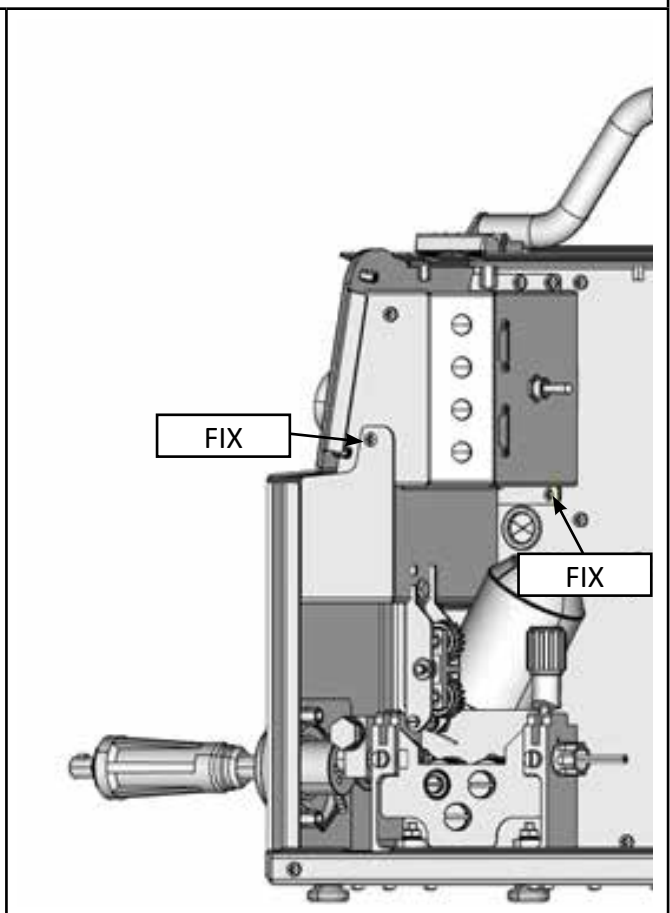
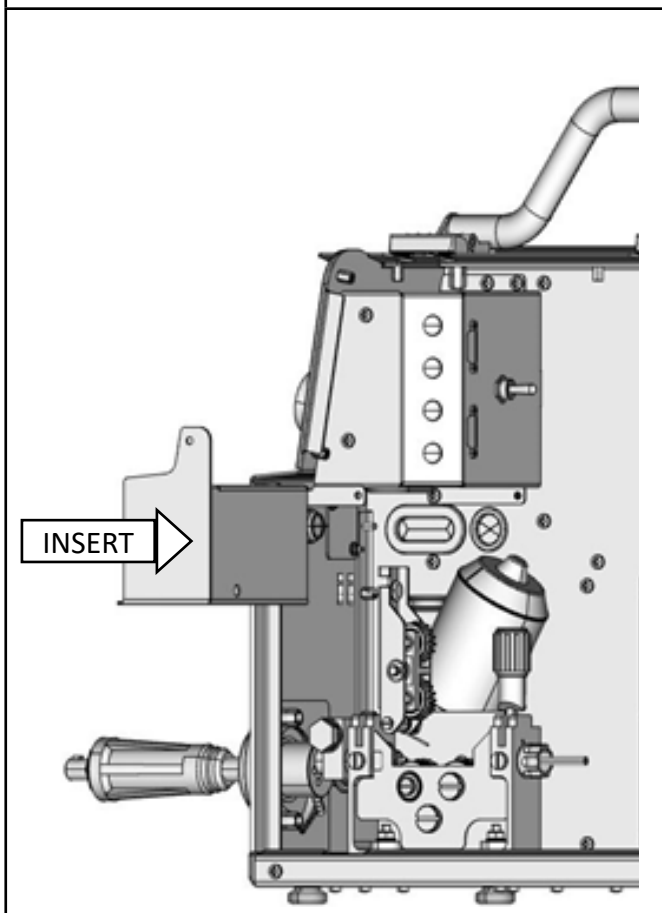
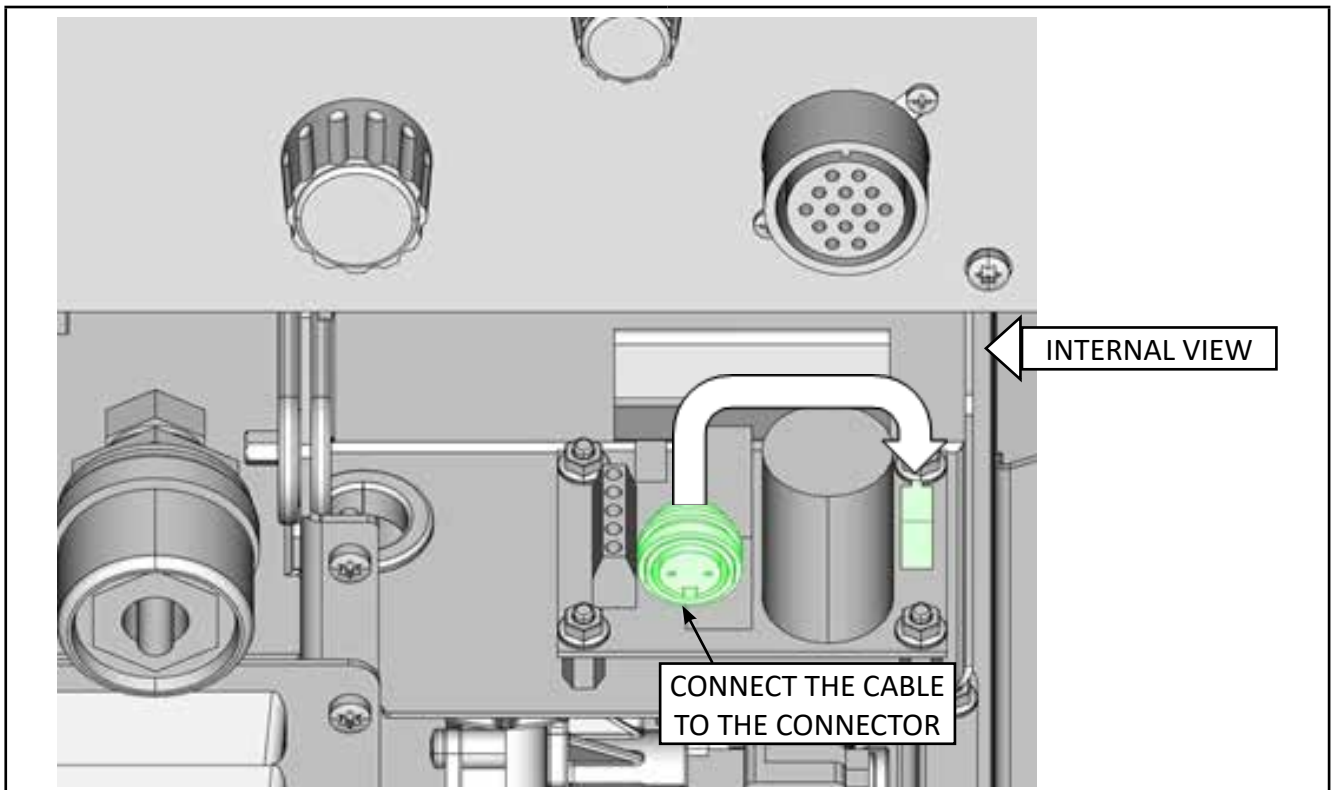


## 6.1 ASSEMBLY



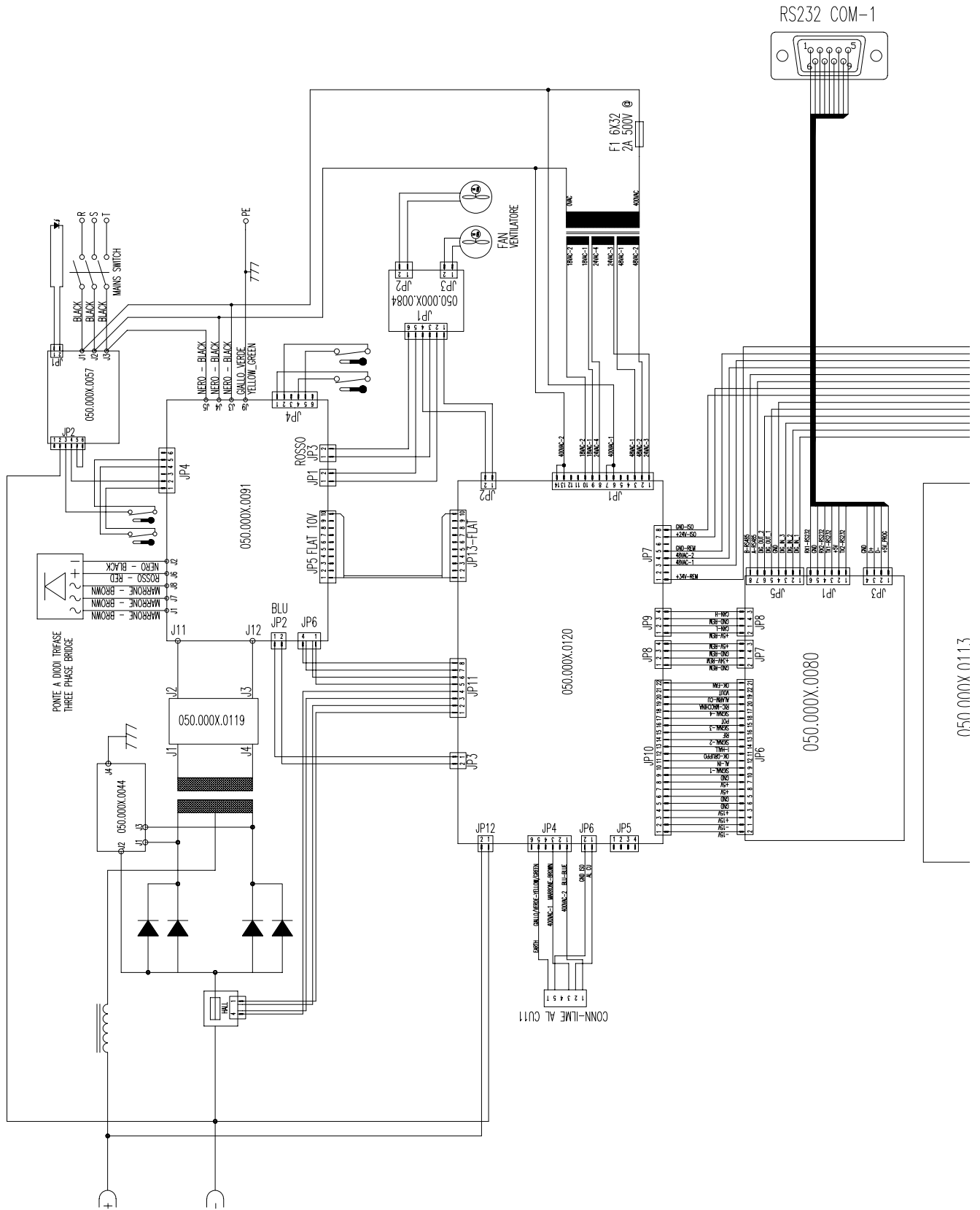








# 7 ELECTRICAL DIAGRAM FOR MICROPULSE 302MFK.





## 7.1 ASSEMBLY

